



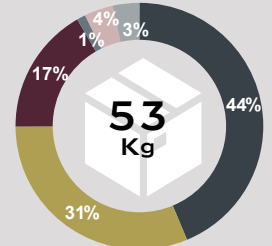
Skylon- low back

Environmental Scorecard October 2025

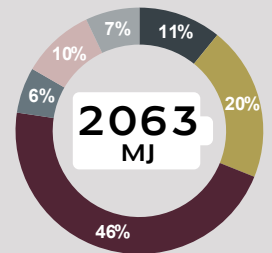
DAVISON HIGHLEY



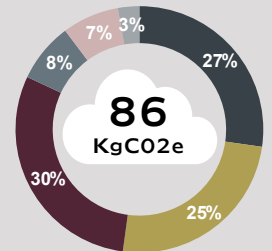
DATA SUMMARY



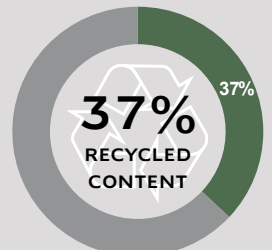
Material type by Mass (Kg)



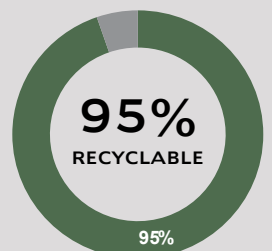
Embodied Energy (MJ)¹



Embodied Carbon (KgCO_{2e})²



Recycled content by Mass (Kg)³



Recyclability by Mass (Kg)⁴

TECHNICAL INFORMATION



- This scorecard has been produced in accordance with the internationally recognised ISO 14021:2016 standard and is intended to provide accurate, informative and verifiable data on the environmental profile of our products.



- All upholstery materials meet a minimum fire rating standard of BSEN1021 1&2
- CMHR Foam meets BS5852 Furniture & Furnishings (Fire) (Safety) Regulations 1988



- Internal timber frames are supplied with a 10 year warranty
- Soft fillings are supplied with a 7 year warranty
- Upholstery material is subject to the manufacturer's own warranty.



- Local supply chains source 90% of the materials used in manufacture from within a 60 mile radius of the High Wycombe workshop.
- REnew, REupholster, REfresh, REpair, REdesign, REstore, REimagine, REvitalise, REpurpose, existing Davison Highley furniture.

COMPANY CERTIFICATIONS



Davison Highley's environmental Management System (EMS) is verified to the international ISO 14001 standard.



Timber is responsibly sourced from sustainable forests with full certification to the FSC® standard on request.



FIRA Membership



Environmental and social sustainability is certified to the FISP standard.

MADE IN BRITAIN

Everything is designed and manufactured at the High Wycombe workshop.

Learn more at <https://davisonhighley.co.uk/sustainability/>

All Scorecard data has been independently verified by:



● Timber & Board ● Textiles ● Foam ● Fibre fill ● Metals ● Packaging

- The above data is based on the average figures across the entire Skylon low back range

1) Total primary energy consumed from direct and indirect process (A1-A3) expressed in Megajoules (MJ)

2) Total greenhouse gas emissions emitted (A1-A3) expressed in carbon dioxide equivalent (KgCO_{2e})

3) Recycled content calculated in accordance with the ISO 14021 standard for pre- and post-consumer materials and aligned with agreed definitions for both

4) Recyclable content calculated in line with established definitions whereby a product, or material, is recyclable if it is effectively sorted, processed and/or sold as recycle in the UK



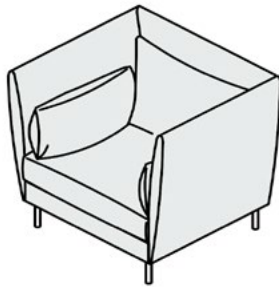
Skylon- low back

Environmental Scorecard October 2025

DAVISON HIGHLEY

Skylon low back armchair on timber legs

SKY 01/L-TL



- Low and high back armchair & sofa range.
- Suitable for public, reception, waiting and breakout areas.
- Upholstery finishes are available from our fabric & faux leather bands. Leather available by quotation.
- Option of turned tapered solid timber or solid aluminium legs.
- Seat constructed from engineered layers of CMHR foam.
- Fibre fill back cushions.
- This design can be tailored on request.

ENVIRONMENTAL DATA

Component material	Material type by mass (%Kg)	Embodied energy (MJ) ¹	Embodied carbon (KgCO2e) ²	Recycled content by mass (Kg) ³	Recyclability by Mass (Kg) ⁴
Plywood	32.4 %	158.0	16.6	19.4 %	30.8 %
Hardboard	14.2 %	52.9	5.3	4.3 %	13.5 %
Timber leg	1.1 %	3.8	0.3	0.0 %	1.1 %
Fabric ³	31.0 %	370.1	18.7	7.9 %	31.0 %
Foam	13.9 %	711.4	18.8	0.7 %	13.9 %
Fibre Fill	3.6 %	169.5	5.4	2.4 %	0.5 %
Aluminium	0.5 %	37.2	2.0	0.2 %	0.5 %
Steel	0.5 %	4.9	0.5	0.1 %	0.4 %
Recycled Plastic	2.7 %	101.2	1.6	2.6 %	2.7 %
		1608.9 MJ	69.1 KgCO2e	37.5 % Kg	94.5 % Kg

- No prohibited or restricted substances, including heavy metals, phthalates or biocides
 - No SVHCs present at concentrations >0.1% in accordance with REACH
 - Water-based adhesives used in manufacturing
 - Low formaldehyde emissions of wood-based components (<20µg/m³)
 - All Scorecard data independently verified by Dragonfly Sustainability
 - Data is calculated using a non-specific fabric, speak to us about using recycled or environmentally friendly materials.
1. Total primary energy consumed from direct and indirect process (A1 -A3) expressed in Megajoules (MJ)
 2. Total greenhouse gas emissions emitted (A1 -A3) expressed in carbon dioxide equivalent (KgCO2e)
 3. Recycled content calculated in accordance with the ISO 14021 standard for pre- and post-consumer materials and aligned with agreed definitions for both.
 4. Recyclable content calculated in line with established definitions whereby a product, or material, is recyclable if it is effectively sorted, processed and/or sold as recycle in the UK.

ADDITIONAL INFORMATION

- Learn more at <https://davisonhighley.co.uk/sustainability/>
- View the range at <https://davisonhighley.co.uk/products/skylon/>
- Download 2D & 3D CAD at <https://davisonhighley.co.uk/resources/product-images/>





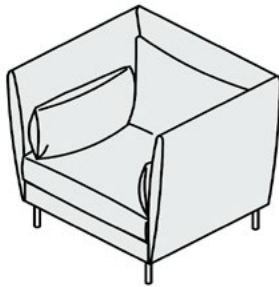
Skylon- low back

Environmental Scorecard October 2025



Skylon low back armchair on metal legs

SKY 01/L-ML



- Low and high back armchair & sofa range.
- Suitable for public, reception, waiting and breakout areas.
- Upholstery finishes are available from our fabric & faux leather bands. Leather available by quotation.
- Option of turned tapered solid timber or solid aluminium legs.
- Seat constructed from engineered layers of CMHR foam.
- Fibre fill back cushions.
- This design can be tailored on request.

ENVIRONMENTAL DATA

Component material	Material type by mass (%Kg)	Embodied energy (MJ) ¹	Embodied carbon (KgCO2e) ²	Recycled content by mass (Kg) ³	Recyclability by Mass (Kg) ⁴
Plywood	32.0 %	158.0	16.6	19.2 %	30.4 %
Hardboard	14.1 %	52.9	5.3	4.2 %	13.4 %
Fabric ³	30.6 %	370.1	18.7	7.0 %	30.6 %
Foam	13.7 %	711.4	18.8	0.7 %	13.7 %
Fibre Fill	3.6 %	169.5	5.4	2.3 %	0.5 %
Aluminium	2.9 %	210.8	11.2	0.8 %	1.9 %
Steel	0.5 %	4.9	0.5	0.1 %	0.4 %
Recycled Plastic	2.7 %	101.2	1.6	2.5 %	2.7 %
		1778.6 MJ	78 KgCO2e	36.9 % Kg	94.6 % Kg

- No prohibited or restricted substances, including heavy metals, phthalates or biocides
 - No SVHCs present at concentrations >0.1% in accordance with REACH
 - Water-based adhesives used in manufacturing
 - Low formaldehyde emissions of wood-based components (<20µg/m³)
 - All Scorecard data independently verified by Dragonfly Sustainability
 - Data is calculated using a non-specific fabric, speak to us about using recycled or environmentally friendly materials.
1. Total primary energy consumed from direct and indirect process (A1-A3) expressed in Megajoules (MJ)
 2. Total greenhouse gas emissions emitted (A1-A3) expressed in carbon dioxide equivalent (KgCO2e)
 3. Recycled content calculated in accordance with the ISO 14021 standard for pre- and post-consumer materials and aligned with agreed definitions for both.
 4. Recyclable content calculated in line with established definitions whereby a product, or material, is recyclable if it is effectively sorted, processed and/or sold as recycle in the UK.

ADDITIONAL INFORMATION

- Learn more at <https://davisonhighley.co.uk/sustainability/>
- View the range at <https://davisonhighley.co.uk/products/skylon/>
- Download 2D & 3D CAD at <https://davisonhighley.co.uk/resources/product-images/>





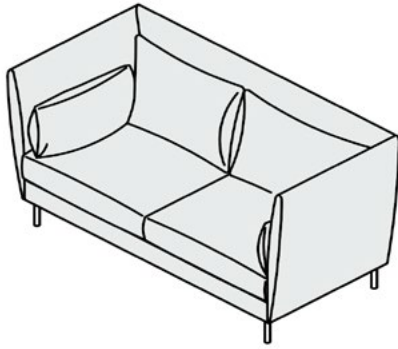
Skylon- low back

Environmental Scorecard October 2025

DAVISON HIGHLEY

Skylon low back 2.5 seater sofa on timber legs

SKY 025/L-TL



- Low and high back armchair & sofa range.
- Suitable for public, reception, waiting and breakout areas.
- Upholstery finishes are available from our fabric & faux leather bands. Leather available by quotation.
- Option of turned tapered solid timber or solid aluminium legs.
- Seat constructed from engineered layers of CMHR foam.
- Fibre fill back cushions.
- This design can be tailored on request.

ENVIRONMENTAL DATA

Component material	Material type by mass (%Kg)	Embodied energy (MJ) ¹	Embodied carbon (KgCO2e) ²	Recycled content by mass (Kg) ³	Recyclability by Mass (Kg) ⁴
Plywood	33.8 %	251.2	26.3	20.3 %	32.1 %
Hardboard	11.2 %	63.6	6.4	3.4 %	10.7 %
Timber leg	0.7 %	3.8	0.3	0 %	0.7 %
Fabric ³	29.4 %	534.6	27.0	7.2 %	29.4 %
Foam	17.2 %	1343.1	35.4	0.9 %	17.2 %
Fibre Fill	3.5 %	249.8	8.0	2.3 %	0.5 %
Aluminium	0.3 %	37.2	2.0	0.1 %	0.3 %
Steel	0.3 %	4.9	0.5	0.1 %	0.3 %
Recycled Plastic	3.5 %	197.0	3.2	3.3 %	3.5 %
		2685.3 MJ	109 KgCO2e	37.5 % Kg	94.7 % Kg

- No prohibited or restricted substances, including heavy metals, phthalates or biocides
 - No SVHCs present at concentrations >0.1% in accordance with REACH
 - Water-based adhesives used in manufacturing
 - Low formaldehyde emissions of wood-based components (<20µg/m³)
 - All Scorecard data independently verified by Dragonfly Sustainability
 - Data is calculated using a non-specific fabric, speak to us about using recycled or environmentally friendly materials.
1. Total primary energy consumed from direct and indirect process (A1 -A3) expressed in Megajoules (MJ)
 2. Total greenhouse gas emissions emitted (A1 -A3) expressed in carbon dioxide equivalent (KgCO2e)
 3. Recycled content calculated in accordance with the ISO 14021 standard for pre- and post-consumer materials and aligned with agreed definitions for both.
 4. Recyclable content calculated in line with established definitions whereby a product, or material, is recyclable if it is effectively sorted, processed and/or sold as recycle in the UK.

ADDITIONAL INFORMATION

- 🔍 Learn more at <https://davisonhighley.co.uk/sustainability/>
- 📍 View the range at <https://davisonhighley.co.uk/products/skylon/>
- 📄 Download 2D & 3D CAD at <https://davisonhighley.co.uk/resources/product-images/>



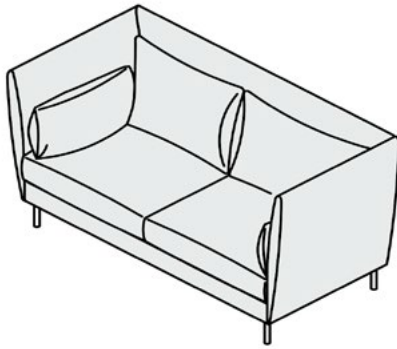


Skylon- low back

Environmental Scorecard October 2025



Skylon low back 2.5 seater sofa on metal legs SKY 025/L-ML



- Low and high back armchair & sofa range.
- Suitable for public, reception, waiting and breakout areas.
- Upholstery finishes are available from our fabric & faux leather bands. Leather available by quotation.
- Option of turned tapered solid timber or solid aluminium legs.
- Seat constructed from engineered layers of CMHR foam.
- Fibre fill back cushions.
- This design can be tailored on request.

ENVIRONMENTAL DATA

Component material	Material type by mass (%Kg)	Embodied energy (MJ) ¹	Embodied carbon (KgCO2e) ²	Recycled content by mass (Kg) ³	Recyclability by Mass (Kg) ⁴
Plywood	33.5 %	251.2	26.3	20.1 %	31.8 %
Hardboard	11.1 %	63.6	6.4	3.3 %	10.6 %
Fabric ³	29.1 %	534.6	27.0	6.7 %	29.1 %
Foam	17.1 %	1343.1	35.4	0.9 %	17.1 %
Fibre Fill	3.5 %	249.8	8.0	2.3 %	0.5 %
Aluminium	1.9 %	210.8	11.2	0.6 %	1.9 %
Steel	0.3 %	4.9	0.5	0.1 %	0.3 %
Recycled Plastic	3.4 %	197.0	3.2	3.3 %	3.4 %
		2855 MJ	118 KgCO2e	37.2 % Kg	94.8 % Kg

- No prohibited or restricted substances, including heavy metals, phthalates or biocides
 - No SVHCs present at concentrations >0.1% in accordance with REACH
 - Water-based adhesives used in manufacturing
 - Low formaldehyde emissions of wood-based components (<20µg/m³)
 - All Scorecard data independently verified by Dragonfly Sustainability
 - Data is calculated using a non-specific fabric, speak to us about using recycled or environmentally friendly materials.
1. Total primary energy consumed from direct and indirect process (A1-A3) expressed in Megajoules (MJ)
 2. Total greenhouse gas emissions emitted (A1-A3) expressed in carbon dioxide equivalent (KgCO2e)
 3. Recycled content calculated in accordance with the ISO 14021 standard for pre- and post-consumer materials and aligned with agreed definitions for both.
 4. Recyclable content calculated in line with established definitions whereby a product, or material, is recyclable if it is effectively sorted, processed and/or sold as recyclate in the UK.

ADDITIONAL INFORMATION

- Learn more at <https://davisonhighley.co.uk/sustainability/>
- View the range at <https://davisonhighley.co.uk/products/skylon/>
- Download 2D & 3D CAD at <https://davisonhighley.co.uk/resources/product-images/>





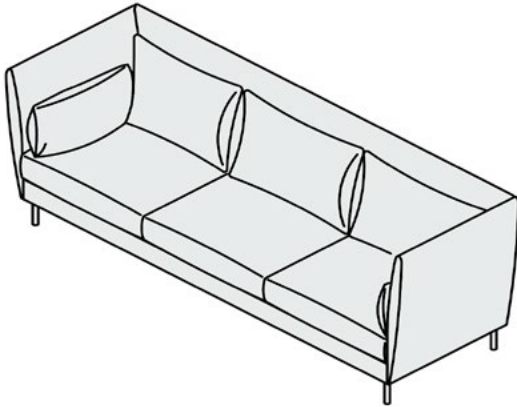
Skylon- low back

Environmental Scorecard October 2025

DAVISON HIGHLEY

Skylon low back 3 seater sofa on timber legs

SKY 03/L-TL



- Low and high back armchair & sofa range.
- Suitable for public, reception, waiting and breakout areas.
- Upholstery finishes are available from our fabric & faux leather bands. Leather available by quotation.
- Option of turned tapered solid timber or solid aluminium legs.
- Seat constructed from engineered layers of CMHR foam.
- Fibre fill back cushions.
- This design can be tailored on request.

ENVIRONMENTAL DATA

Component material	Material type by mass (%Kg)	Embodied energy (MJ) ¹	Embodied carbon (KgCO2e) ²	Recycled content by mass (Kg) ³	Recyclability by Mass (Kg) ⁴
Plywood	34.0 %	269.3	28.2	20.4 %	32.3 %
Hardboard	11.0 %	66.5	6.7	3.3 %	10.5 %
Timber leg	0.7 %	3.8	0.3	0 %	0.7 %
Fabric ³	27.5 %	534.6	27.0	6.7 %	27.5 %
Foam	18.2 %	1507.5	39.7	0.9 %	18.2 %
Fibre Fill	4.4 %	330.1	10.5	2.1 %	0.7 %
Aluminium	0.3 %	37.2	2.0	0.1 %	0.3 %
Steel	0.3 %	4.9	0.5	0.1 %	0.3 %
Recycled Plastic	3.7 %	223.5	3.6	3.5 %	3.7 %
		2977.4 MJ	118.5 KgCO2e	37.7 % Kg	94 % Kg

- No prohibited or restricted substances, including heavy metals, phthalates or biocides
 - No SVHCs present at concentrations >0.1% in accordance with REACH
 - Water-based adhesives used in manufacturing
 - Low formaldehyde emissions of wood-based components (<20µg/m³)
 - All Scorecard data independently verified by Dragonfly Sustainability
 - Data is calculated using a non-specific fabric, speak to us about using recycled or environmentally friendly materials.
1. Total primary energy consumed from direct and indirect process (A1 -A3) expressed in Megajoules (MJ)
 2. Total greenhouse gas emissions emitted (A1 -A3) expressed in carbon dioxide equivalent (KgCO2e)
 3. Recycled content calculated in accordance with the ISO 14021 standard for pre- and post-consumer materials and aligned with agreed definitions for both.
 4. Recyclable content calculated in line with established definitions whereby a product, or material, is recyclable if it is effectively sorted, processed and/or sold as recycle in the UK.

ADDITIONAL INFORMATION

- 🔍 Learn more at <https://davisonhighley.co.uk/sustainability/>
- 📍 View the range at <https://davisonhighley.co.uk/products/skylon/>
- 📄 Download 2D & 3D CAD at <https://davisonhighley.co.uk/resources/product-images/>





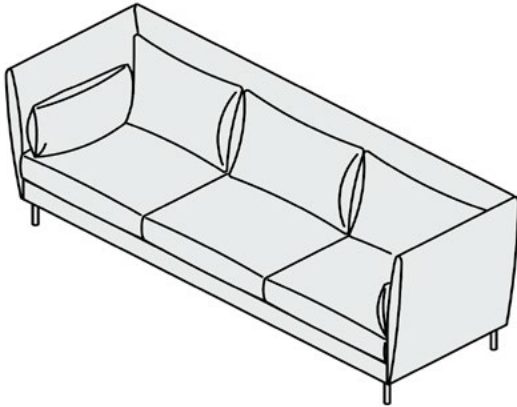
Skylon- low back

Environmental Scorecard October 2025



Skylon low back 3 seater sofa on metal legs

SKY 03/L-ML



- Low and high back armchair & sofa range.
- Suitable for public, reception, waiting and breakout areas.
- Upholstery finishes are available from our fabric & faux leather bands. Leather available by quotation.
- Option of turned tapered solid timber or solid aluminium legs.
- Seat constructed from engineered layers of CMHR foam.
- Fibre fill back cushions.
- This design can be tailored on request.

ENVIRONMENTAL DATA

Component material	Material type by mass (%Kg)	Embodied energy (MJ) ¹	Embodied carbon (KgCO2e) ²	Recycled content by mass (Kg) ³	Recyclability by Mass (Kg) ⁴
Plywood	34.8 %	282.9	29.6	20.9%	33.1 %
Hardboard	10.7 %	66.5	6.7	3.2%	10.2 %
Fabric ³	26.9 %	534.6	27.0	6.1%	26.9 %
Foam	17.7 %	1507.5	39.7	0.9%	17.7 %
Fibre Fill	4.2 %	330.1	10.5	2.8%	0.6 %
Aluminium	1.8 %	210.8	11.2	0.6 %	1.8 %
Steel	0.3 %	4.9	0.5	0.1%	0.3%
Recycled Plastic	3.6 %	223.5	3.6	3.4 %	3.6 %
		3160.8 MJ	128.9 KgCO2e	37.9 % Kg	94.1 % Kg

- No prohibited or restricted substances, including heavy metals, phthalates or biocides
 - No SVHCs present at concentrations >0.1% in accordance with REACH
 - Water-based adhesives used in manufacturing
 - Low formaldehyde emissions of wood-based components (<20µg/m³)
 - All Scorecard data independently verified by Dragonfly Sustainability
 - Data is calculated using a non-specific fabric, speak to us about using recycled or environmentally friendly materials.
1. Total primary energy consumed from direct and indirect process (A1-A3) expressed in Megajoules (MJ)
 2. Total greenhouse gas emissions emitted (A1-A3) expressed in carbon dioxide equivalent (KgCO2e)
 3. Recycled content calculated in accordance with the ISO 14021 standard for pre- and post-consumer materials and aligned with agreed definitions for both.
 4. Recyclable content calculated in line with established definitions whereby a product, or material, is recyclable if it is effectively sorted, processed and/or sold as recycle in the UK.

ADDITIONAL INFORMATION

- Learn more at <https://davisonhighley.co.uk/sustainability/>
- View the range at <https://davisonhighley.co.uk/products/skylon/>
- Download 2D & 3D CAD at <https://davisonhighley.co.uk/resources/product-images/>





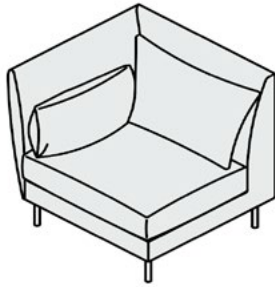
Skylon- low back

Environmental Scorecard October 2025

DAVISON HIGHLEY

Skylon low back single left hand on timber legs

SKY 01/L/LH-TL



- Low and high back armchair & sofa range.
- Suitable for public, reception, waiting and breakout areas.
- Upholstery finishes are available from our fabric & faux leather bands. Leather available by quotation.
- Option of turned tapered solid timber or solid aluminium legs.
- Seat constructed from engineered layers of CMHR foam.
- Fibre fill back cushions.
- This design can be tailored on request.

ENVIRONMENTAL DATA

Component material	Material type by mass (%Kg)	Embodied energy (MJ) ¹	Embodied carbon (KgCO2e) ²	Recycled content by mass (Kg) ³	Recyclability by Mass (Kg) ⁴
Plywood	31.0 %	122.5	12.8	18.6 %	29.4 %
Hardboard	10.4 %	31.2	3.1	3.1%	9.8 %
Timber leg	1.4 %	3.8	0.3	0 %	1.4 %
Fabric ³	34.0 %	329.0	16.6	8.4 %	34.0 %
Foam	16.0 %	661.5	17.4	0.8 %	16.0 %
Fibre Fill	3.3 %	124.9	4.0	1.4 %	0.5 %
Aluminium	0.6 %	37.2	2.0	0.2 %	0.6 %
Steel	0.3 %	2.4	0.3	0.1 %	0.3 %
Recycled Plastic	3.1 %	94.3	1.5	3 %	3.1 %
		1406.7 MJ	58 KgCO2e	36.2 % Kg	95.1 % Kg

- No prohibited or restricted substances, including heavy metals, phthalates or biocides
 - No SVHCs present at concentrations >0.1% in accordance with REACH
 - Water-based adhesives used in manufacturing
 - Low formaldehyde emissions of wood-based components (<20µg/m³)
 - All Scorecard data independently verified by Dragonfly Sustainability
 - Data is calculated using a non-specific fabric, speak to us about using recycled or environmentally friendly materials.
1. Total primary energy consumed from direct and indirect process (A1 -A3) expressed in Megajoules (MJ)
 2. Total greenhouse gas emissions emitted (A1 -A3) expressed in carbon dioxide equivalent (KgCO2e)
 3. Recycled content calculated in accordance with the ISO 14021 standard for pre- and post-consumer materials and aligned with agreed definitions for both.
 4. Recyclable content calculated in line with established definitions whereby a product, or material, is recyclable if it is effectively sorted, processed and/or sold as recycle in the UK.

ADDITIONAL INFORMATION

- Learn more at <https://davisonhighley.co.uk/sustainability/>
- View the range at <https://davisonhighley.co.uk/products/skylon/>
- Download 2D & 3D CAD at <https://davisonhighley.co.uk/resources/product-images/>





Skylon- low back

Environmental Scorecard October 2025

DAVISON HIGHLEY

Skylon low back single left hand on metal legs

SKY 01/L/LH-ML



- Low and high back armchair & sofa range.
- Suitable for public, reception, waiting and breakout areas.
- Upholstery finishes are available from our fabric & faux leather bands. Leather available by quotation.
- Option of turned tapered solid timber or solid aluminium legs.
- Seat constructed from engineered layers of CMHR foam.
- Fibre fill back cushions.
- This design can be tailored on request.

ENVIRONMENTAL DATA

Component material	Material type by mass (%Kg)	Embodied energy (MJ) ¹	Embodied carbon (KgCO2e) ²	Recycled content by mass (Kg) ³	Recyclability by Mass (Kg) ⁴
Plywood	30.5%	122.5	12.8	18.3 %	29.0%
Hardboard	10.2%	31.2	3.1	3.1 %	9.7%
Fabric ³	33.5%	329.0	16.6	7.3 %	33.5%
Foam	15.7%	661.5	17.4	0.8%	15.7%
Fibre Fill	3.3%	124.9	4.0	2.1 %	0.5%
Aluminium	3.55%	210.8	11.2	1 %	3.6%
Steel	0.3%	2.4	0.3	0.1 %	0.3%
Recycled Plastic	3.1%	94.3	1.5	2.9 %	3.1%
		1576.5 MJ	67 KgCO2e	35.5 % Kg	95.2 % Kg

- No prohibited or restricted substances, including heavy metals, phthalates or biocides
 - No SVHCs present at concentrations >0.1% in accordance with REACH
 - Water-based adhesives used in manufacturing
 - Low formaldehyde emissions of wood-based components (<20µg/m³)
 - All Scorecard data independently verified by Dragonfly Sustainability
 - Data is calculated using a non-specific fabric, speak to us about using recycled or environmentally friendly materials.
1. Total primary energy consumed from direct and indirect process (A1-A3) expressed in Megajoules (MJ)
 2. Total greenhouse gas emissions emitted (A1-A3) expressed in carbon dioxide equivalent (KgCO2e)
 3. Recycled content calculated in accordance with the ISO 14021 standard for pre- and post-consumer materials and aligned with agreed definitions for both.
 4. Recyclable content calculated in line with established definitions whereby a product, or material, is recyclable if it is effectively sorted, processed and/or sold as recycle in the UK.

ADDITIONAL INFORMATION

- Learn more at <https://davisonhighley.co.uk/sustainability/>
- View the range at <https://davisonhighley.co.uk/products/skylon/>
- Download 2D & 3D CAD at <https://davisonhighley.co.uk/resources/product-images/>





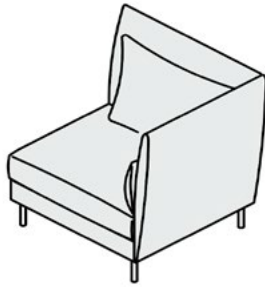
Skylon- low back

Environmental Scorecard October 2025

DAVISON HIGHLEY

Skylon low back single right hand on timber legs

SKY 01/L/RH-TL



- Low and high back armchair & sofa range.
- Suitable for public, reception, waiting and breakout areas.
- Upholstery finishes are available from our fabric & faux leather bands. Leather available by quotation.
- Option of turned tapered solid timber or solid aluminium legs.
- Seat constructed from engineered layers of CMHR foam.
- Fibre fill back cushions.
- This design can be tailored on request.

ENVIRONMENTAL DATA

Component material	Material type by mass (%Kg)	Embodied energy (MJ) ¹	Embodied carbon (KgCO2e) ²	Recycled content by mass (Kg) ³	Recyclability by Mass (Kg) ⁴
Plywood	31.0 %	122.5	12.8	18.6 %	29.4 %
Hardboard	10.4 %	31.2	3.1	3.1%	9.8 %
Timber leg	1.4 %	3.8	0.3	0 %	1.4 %
Fabric ³	34.0 %	329.0	16.6	8.4 %	34.0 %
Foam	16.0 %	661.5	17.4	0.8 %	16.0 %
Fibre Fill	3.3 %	124.9	4.0	1.4 %	0.5 %
Aluminium	0.6 %	37.2	2.0	0.2 %	0.6 %
Steel	0.3 %	2.4	0.3	0.1 %	0.3 %
Recycled Plastic	3.1 %	94.3	1.5	3 %	3.1 %
		1406.7 MJ	58 KgCO2e	36.2 % Kg	95.1 % Kg

- No prohibited or restricted substances, including heavy metals, phthalates or biocides
 - No SVHCs present at concentrations >0.1% in accordance with REACH
 - Water-based adhesives used in manufacturing
 - Low formaldehyde emissions of wood-based components (<20µg/m³)
 - All Scorecard data independently verified by Dragonfly Sustainability
 - Data is calculated using a non-specific fabric, speak to us about using recycled or environmentally friendly materials.
1. Total primary energy consumed from direct and indirect process (A1 -A3) expressed in Megajoules (MJ)
 2. Total greenhouse gas emissions emitted (A1 -A3) expressed in carbon dioxide equivalent (KgCO2e)
 3. Recycled content calculated in accordance with the ISO 14021 standard for pre- and post-consumer materials and aligned with agreed definitions for both.
 4. Recyclable content calculated in line with established definitions whereby a product, or material, is recyclable if it is effectively sorted, processed and/or sold as recycle in the UK.

ADDITIONAL INFORMATION

- Learn more at <https://davisonhighley.co.uk/sustainability/>
- View the range at <https://davisonhighley.co.uk/products/skylon/>
- Download 2D & 3D CAD at <https://davisonhighley.co.uk/resources/product-images/>



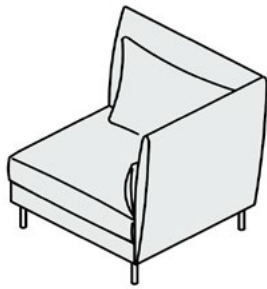


Skylon- low back

Environmental Scorecard October 2025

DAVISON HIGHLEY

Skylon low back single right hand on metal legs SKY 01/L/RH-ML



- Low and high back armchair & sofa range.
- Suitable for public, reception, waiting and breakout areas.
- Upholstery finishes are available from our fabric & faux leather bands. Leather available by quotation.
- Option of turned tapered solid timber or solid aluminium legs.
- Seat constructed from engineered layers of CMHR foam.
- Fibre fill back cushions.
- This design can be tailored on request.

ENVIRONMENTAL DATA

Component material	Material type by mass (%Kg)	Embodied energy (MJ) ¹	Embodied carbon (KgCO2e) ²	Recycled content by mass (Kg) ³	Recyclability by Mass (Kg) ⁴
Plywood	30.5%	122.5	12.8	18.3 %	29.0%
Hardboard	10.2%	31.2	3.1	3.1 %	9.7%
Fabric ³	33.5%	329.0	16.6	7.3 %	33.5%
Foam	15.7%	661.5	17.4	0.8%	15.7%
Fibre Fill	3.3%	124.9	4.0	2.1 %	0.5%
Aluminium	3.55%	210.8	11.2	1 %	3.6%
Steel	0.3%	2.4	0.3	0.1 %	0.3%
Recycled Plastic	3.1%	94.3	1.5	2.9 %	3.1%
		1576.5 MJ	67 KgCO2e	35.5 % Kg	95.2 % Kg

- No prohibited or restricted substances, including heavy metals, phthalates or biocides
 - No SVHCs present at concentrations >0.1% in accordance with REACH
 - Water-based adhesives used in manufacturing
 - Low formaldehyde emissions of wood-based components (<20µg/m³)
 - All Scorecard data independently verified by Dragonfly Sustainability
 - Data is calculated using a non-specific fabric, speak to us about using recycled or environmentally friendly materials.
1. Total primary energy consumed from direct and indirect process (A1-A3) expressed in Megajoules (MJ)
 2. Total greenhouse gas emissions emitted (A1-A3) expressed in carbon dioxide equivalent (KgCO2e)
 3. Recycled content calculated in accordance with the ISO 14021 standard for pre- and post-consumer materials and aligned with agreed definitions for both.
 4. Recyclable content calculated in line with established definitions whereby a product, or material, is recyclable if it is effectively sorted, processed and/or sold as recycle in the UK.

ADDITIONAL INFORMATION

- Learn more at <https://davisonhighley.co.uk/sustainability/>
- View the range at <https://davisonhighley.co.uk/products/skylon/>
- Download 2D & 3D CAD at <https://davisonhighley.co.uk/resources/product-images/>



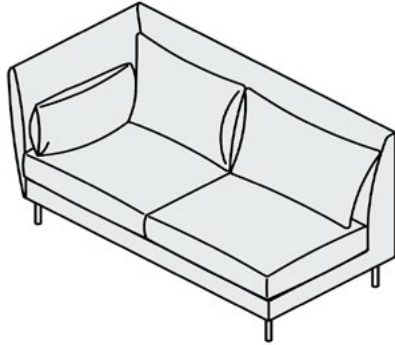


Skylon- high back

Environmental Scorecard October 2025

DAVISON HIGHLEY

Skylon high back 2 seater left hand on timber legs SKY 02/H/LH-TL



- Low and high back armchair & sofa range.
- Suitable for public, reception, waiting and breakout areas.
- Upholstery finishes are available from our fabric & faux leather bands. Leather available by quotation.
- Option of turned tapered solid timber or solid aluminium legs.
- Seat constructed from engineered layers of CMHR foam.
- Fibre fill back cushions.
- This design can be tailored on request.

ENVIRONMENTAL DATA

Component material	Material type by mass (%Kg)	Embodied energy (MJ) ¹	Embodied carbon (KgCO2e) ²	Recycled content by mass (Kg) ³	Recyclability by Mass (Kg) ⁴
Plywood	32.2 %	185.1	19.4	19.3 %	30.6 %
Hardboard	8.4 %	36.7	3.7	2.5 %	8.0 %
Timber leg	0.9 %	3.8	0.3	0 %	0.9 %
Fabric ³	32.2 %	452.3	22.9	7.8 %	32.2 %
Foam	17.6 %	1062.3	28.0	0.9 %	17.6 %
Fibre Fill	3.7 %	205.2	6.5	2.4 %	0.6 %
Aluminium	0.4 %	37.2	2.0	0.1 %	0.4 %
Steel	0.2 %	2.4	0.3	0.04 %	0.2 %
Recycled Plastic	4.3 %	190.1	3.1	4.1 %	4.3 %
		2175.2 MJ	86.1 KgCO2e	37.2 % Kg	94.8 % Kg

- No prohibited or restricted substances, including heavy metals, phthalates or biocides
 - No SVHCs present at concentrations >0.1% in accordance with REACH
 - Water-based adhesives used in manufacturing
 - Low formaldehyde emissions of wood-based components (<20µg/m³)
 - All Scorecard data independently verified by Dragonfly Sustainability
 - Data is calculated using a non-specific fabric, speak to us about using recycled or environmentally friendly materials.
1. Total primary energy consumed from direct and indirect process (A1 -A3) expressed in Megajoules (MJ)
 2. Total greenhouse gas emissions emitted (A1 -A3) expressed in carbon dioxide equivalent (KgCO2e)
 3. Recycled content calculated in accordance with the ISO 14021 standard for pre- and post-consumer materials and aligned with agreed definitions for both.
 4. Recyclable content calculated in line with established definitions whereby a product, or material, is recyclable if it is effectively sorted, processed and/or sold as recycle in the UK.

ADDITIONAL INFORMATION

- Learn more at <https://davisonhighley.co.uk/sustainability/>
- View the range at <https://davisonhighley.co.uk/products/skylon/>
- Download 2D & 3D CAD at <https://davisonhighley.co.uk/resources/product-images/>



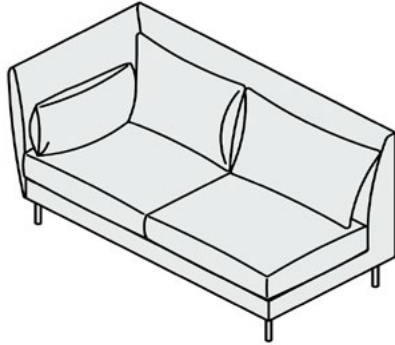


Skylon- high back

Environmental Scorecard October 2025

DAVISON HIGHLEY

Skylon high back 2 seater left hand on metal legs SKY 02/H/LH-ML



- Low and high back armchair & sofa range.
- Suitable for public, reception, waiting and breakout areas.
- Upholstery finishes are available from our fabric & faux leather bands. Leather available by quotation.
- Option of turned tapered solid timber or solid aluminium legs.
- Seat constructed from engineered layers of CMHR foam.
- Fibre fill back cushions.
- This design can be tailored on request.

ENVIRONMENTAL DATA

Component material	Material type by mass (%Kg)	Embodied energy (MJ) ¹	Embodied carbon (KgCO2e) ²	Recycled content by mass (Kg) ³	Recyclability by Mass (Kg) ⁴
Plywood	31.8 %	185.1	19.4	19.1 %	30.3%
Hardboard	8.3 %	36.7	3.7	2.5 %	7.9%
Fabric ³	31.8 %	452.3	22.9	7.0 %	31.8%
Foam	17.4 %	1062.3	28.0	0.9 %	17.4%
Fibre Fill	3.7 %	205.2	6.5	2.4 %	0.6%
Aluminium	1.5 %	210.8	11.2	0.8 %	1.5 %
Steel	0.2 %	2.4	0.3	0.04 %	0.2%
Recycled Plastic	4.3 %	190.1	3.1	4.1 %	4.3%
		2345 MJ	95 KgCO2e	36.7 % Kg	94.8 % Kg

- No prohibited or restricted substances, including heavy metals, phthalates or biocides
 - No SVHCs present at concentrations >0.1% in accordance with REACH
 - Water-based adhesives used in manufacturing
 - Low formaldehyde emissions of wood-based components (<20µg/m³)
 - All Scorecard data independently verified by Dragonfly Sustainability
 - Data is calculated using a non-specific fabric, speak to us about using recycled or environmentally friendly materials.
1. Total primary energy consumed from direct and indirect process (A1-A3) expressed in Megajoules (MJ)
 2. Total greenhouse gas emissions emitted (A1-A3) expressed in carbon dioxide equivalent (KgCO2e)
 3. Recycled content calculated in accordance with the ISO 14021 standard for pre- and post-consumer materials and aligned with agreed definitions for both.
 4. Recyclable content calculated in line with established definitions whereby a product, or material, is recyclable if it is effectively sorted, processed and/or sold as recycle in the UK.

ADDITIONAL INFORMATION

- Learn more at <https://davisonhighley.co.uk/sustainability/>
- View the range at <https://davisonhighley.co.uk/products/skylon/>
- Download 2D & 3D CAD at <https://davisonhighley.co.uk/resources/product-images/>





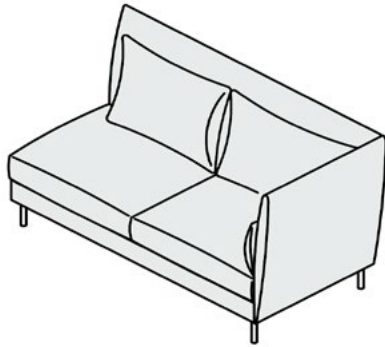
Skylon- low back

Environmental Scorecard October 2025

DAVISON HIGHLEY

Skylon low back 2 seater right hand on timber legs

SKY 02/L/RH-TL



- Low and high back armchair & sofa range.
- Suitable for public, reception, waiting and breakout areas.
- Upholstery finishes are available from our fabric & faux leather bands. Leather available by quotation.
- Option of turned tapered solid timber or solid aluminium legs.
- Seat constructed from engineered layers of CMHR foam.
- Fibre fill back cushions.
- This design can be tailored on request.

ENVIRONMENTAL DATA

Component material	Material type by mass (%Kg)	Embodied energy (MJ) ¹	Embodied carbon (KgCO2e) ²	Recycled content by mass (Kg) ³	Recyclability by Mass (Kg) ⁴
Plywood	32.2 %	185.1	19.4	19.3 %	30.6 %
Hardboard	8.4 %	36.7	3.7	2.5 %	8.0 %
Timber leg	0.9 %	3.8	0.3	0 %	0.9 %
Fabric ³	32.2 %	452.3	22.9	7.8 %	32.2 %
Foam	17.6 %	1062.3	28.0	0.9 %	17.6 %
Fibre Fill	3.7 %	205.2	6.5	2.4 %	0.6 %
Aluminium	0.4 %	37.2	2.0	0.1 %	0.4 %
Steel	0.2 %	2.4	0.3	0.04 %	0.2 %
Recycled Plastic	4.3 %	190.1	3.1	4.1 %	4.3 %
		2175.2 MJ	86.1 KgCO2e	37.2 % Kg	94.8 % Kg

- No prohibited or restricted substances, including heavy metals, phthalates or biocides
 - No SVHCs present at concentrations >0.1% in accordance with REACH
 - Water-based adhesives used in manufacturing
 - Low formaldehyde emissions of wood-based components (<20µg/m³)
 - All Scorecard data independently verified by Dragonfly Sustainability
 - Data is calculated using a non-specific fabric, speak to us about using recycled or environmentally friendly materials.
1. Total primary energy consumed from direct and indirect process (A1 -A3) expressed in Megajoules (MJ)
 2. Total greenhouse gas emissions emitted (A1 -A3) expressed in carbon dioxide equivalent (KgCO2e)
 3. Recycled content calculated in accordance with the ISO 14021 standard for pre- and post-consumer materials and aligned with agreed definitions for both.
 4. Recyclable content calculated in line with established definitions whereby a product, or material, is recyclable if it is effectively sorted, processed and/or sold as recycle in the UK.

ADDITIONAL INFORMATION

- Learn more at <https://davisonhighley.co.uk/sustainability/>
- View the range at <https://davisonhighley.co.uk/products/skylon/>
- Download 2D & 3D CAD at <https://davisonhighley.co.uk/resources/product-images/>



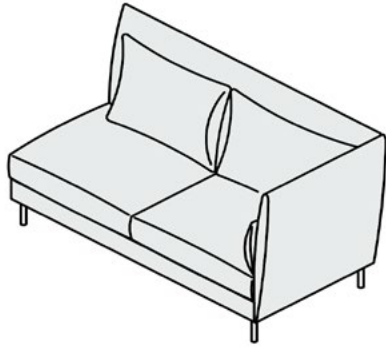


Skylon- low back

Environmental Scorecard October 2025

DAVISON HIGHLEY

Skylon low back 2 seater right hand on metal legs SKY 02/L/RH-ML



- Low and high back armchair & sofa range.
- Suitable for public, reception, waiting and breakout areas.
- Upholstery finishes are available from our fabric & faux leather bands. Leather available by quotation.
- Option of turned tapered solid timber or solid aluminium legs.
- Seat constructed from engineered layers of CMHR foam.
- Fibre fill back cushions.
- This design can be tailored on request.

ENVIRONMENTAL DATA

Component material	Material type by mass (%Kg)	Embodied energy (MJ) ¹	Embodied carbon (KgCO2e) ²	Recycled content by mass (Kg) ³	Recyclability by Mass (Kg) ⁴
Plywood	31.8 %	185.1	19.4	19.1 %	30.3%
Hardboard	8.3 %	36.7	3.7	2.5 %	7.9%
Fabric ³	31.8 %	452.3	22.9	7.0 %	31.8%
Foam	17.4 %	1062.3	28.0	0.9 %	17.4%
Fibre Fill	3.7 %	205.2	6.5	2.4 %	0.6%
Aluminium	1.5 %	210.8	11.2	0.8 %	1.5 %
Steel	0.2 %	2.4	0.3	0.04 %	0.2%
Recycled Plastic	4.3 %	190.1	3.1	4.1 %	4.3%
		2345 MJ	95 KgCO2e	36.7 % Kg	94.8 % Kg

- No prohibited or restricted substances, including heavy metals, phthalates or biocides
 - No SVHCs present at concentrations >0.1% in accordance with REACH
 - Water-based adhesives used in manufacturing
 - Low formaldehyde emissions of wood-based components (<20µg/m³)
 - All Scorecard data independently verified by Dragonfly Sustainability
 - Data is calculated using a non-specific fabric, speak to us about using recycled or environmentally friendly materials.
1. Total primary energy consumed from direct and indirect process (A1-A3) expressed in Megajoules (MJ)
 2. Total greenhouse gas emissions emitted (A1-A3) expressed in carbon dioxide equivalent (KgCO2e)
 3. Recycled content calculated in accordance with the ISO 14021 standard for pre- and post-consumer materials and aligned with agreed definitions for both.
 4. Recyclable content calculated in line with established definitions whereby a product, or material, is recyclable if it is effectively sorted, processed and/or sold as recycle in the UK.

ADDITIONAL INFORMATION

- Learn more at <https://davisonhighley.co.uk/sustainability/>
- View the range at <https://davisonhighley.co.uk/products/skylon/>
- Download 2D & 3D CAD at <https://davisonhighley.co.uk/resources/product-images/>





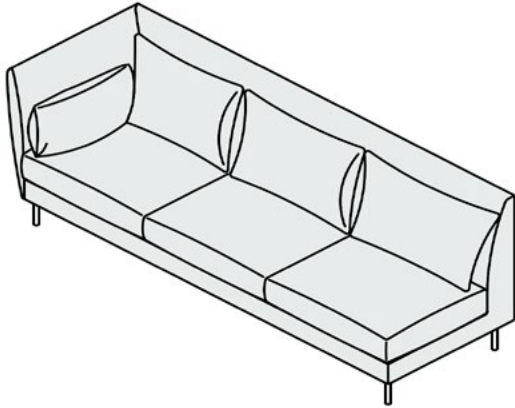
Skylon- low back

Environmental Scorecard October 2025

DAVISON HIGHLEY

Skylon low back 3 seater left hand on timber legs

SKY 03/L/LH-TL



- Low and high back armchair & sofa range.
- Suitable for public, reception, waiting and breakout areas.
- Upholstery finishes are available from our fabric & faux leather bands. Leather available by quotation.
- Option of turned tapered solid timber or solid aluminium legs.
- Seat constructed from engineered layers of CMHR foam.
- Fibre fill back cushions.
- This design can be tailored on request.

ENVIRONMENTAL DATA

Component material	Material type by mass (%Kg)	Embodied energy (MJ) ¹	Embodied carbon (KgCO2e) ²	Recycled content by mass (Kg) ³	Recyclability by Mass (Kg) ⁴
Plywood	33.3 %	233.2	24.4	20.0 %	31.6 %
Hardboard	8.3 %	44.4	4.4	2.5 %	7.9 %
Timber leg	0.8 %	3.8	0.3	0 %	0.8 %
Fabric ³	28.8 %	493.4	25.0	6.8 %	28.8 %
Foam	20.0 %	1467.4	38.7	1.0 %	20.0 %
Fibre Fill	4.3 %	285.5	9.1	2.8 %	0.6 %
Aluminium	0.4 %	37.2	2.0	0.1 %	0.3 %
Steel	0.2 %	2.4	0.3	0.04 %	0.1 %
Recycled Plastic	4.0 %	216.6	3.5	3.8 %	4.0 %
		2784 MJ	107.6 KgCO2e	37 % Kg	94.3 % Kg

- No prohibited or restricted substances, including heavy metals, phthalates or biocides
 - No SVHCs present at concentrations >0.1% in accordance with REACH
 - Water-based adhesives used in manufacturing
 - Low formaldehyde emissions of wood-based components (<20µg/m³)
 - All Scorecard data independently verified by Dragonfly Sustainability
 - Data is calculated using a non-specific fabric, speak to us about using recycled or environmentally friendly materials.
1. Total primary energy consumed from direct and indirect process (A1-A3) expressed in Megajoules (MJ)
 2. Total greenhouse gas emissions emitted (A1-A3) expressed in carbon dioxide equivalent (KgCO2e)
 3. Recycled content calculated in accordance with the ISO 14021 standard for pre- and post-consumer materials and aligned with agreed definitions for both.
 4. Recyclable content calculated in line with established definitions whereby a product, or material, is recyclable if it is effectively sorted, processed and/or sold as recycle in the UK.

ADDITIONAL INFORMATION

- 🔍 Learn more at <https://davisonhighley.co.uk/sustainability/>
- 📍 View the range at <https://davisonhighley.co.uk/products/skylon/>
- 📄 Download 2D & 3D CAD at <https://davisonhighley.co.uk/resources/product-images/>





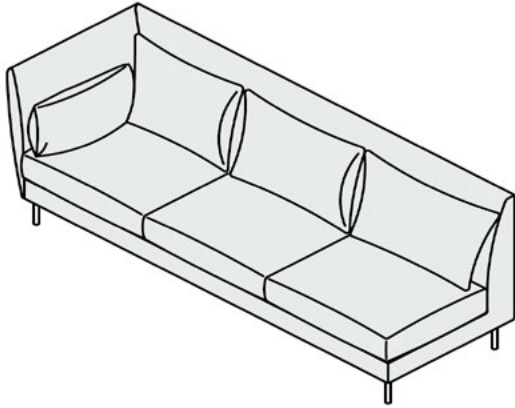
Skylon- low back

Environmental Scorecard October 2025

DAVISON HIGHLEY

Skylon low back 3 seater left hand on metal legs

SKY 03/L/LH-ML



- Low and high back armchair & sofa range.
- Suitable for public, reception, waiting and breakout areas.
- Upholstery finishes are available from our fabric & faux leather bands. Leather available by quotation.
- Option of turned tapered solid timber or solid aluminium legs.
- Seat constructed from engineered layers of CMHR foam.
- Fibre fill back cushions.
- This design can be tailored on request.

ENVIRONMENTAL DATA

Component material	Material type by mass (%Kg)	Embodied energy (MJ) ¹	Embodied carbon (KgCO2e) ²	Recycled content by mass (Kg) ³	Recyclability by Mass (Kg) ⁴
Plywood	34.3 %	246.8	25.9	20.6%	32.6 %
Hardboard	8.1 %	44.4	4.4	2.4%	7.7 %
Fabric ³	28.0 %	493.4	25.0	6.2%	28.0 %
Foam	19.4 %	1467.4	38.7	1.0%	19.4 %
Fibre Fill	4.1 %	285.5	9.1	2.7%	0.6 %
Aluminium	2 %	210.8	11.2	0.6 %	2 %
Steel	0.2 %	2.4	0.3	0.03%	0.1 %
Recycled Plastic	3.9 %	216.6	3.5	3.7%	3.9 %
		2967.4 MJ	118 KgCO2e	37.2 % Kg	94.3 % Kg

- No prohibited or restricted substances, including heavy metals, phthalates or biocides
 - No SVHCs present at concentrations >0.1% in accordance with REACH
 - Water-based adhesives used in manufacturing
 - Low formaldehyde emissions of wood-based components (<20µg/m³)
 - All Scorecard data independently verified by Dragonfly Sustainability
 - Data is calculated using a non-specific fabric, speak to us about using recycled or environmentally friendly materials.
1. Total primary energy consumed from direct and indirect process (A1-A3) expressed in Megajoules (MJ)
 2. Total greenhouse gas emissions emitted (A1-A3) expressed in carbon dioxide equivalent (KgCO2e)
 3. Recycled content calculated in accordance with the ISO 14021 standard for pre- and post-consumer materials and aligned with agreed definitions for both.
 4. Recyclable content calculated in line with established definitions whereby a product, or material, is recyclable if it is effectively sorted, processed and/or sold as recycle in the UK.

ADDITIONAL INFORMATION

- Learn more at <https://davisonhighley.co.uk/sustainability/>
- View the range at <https://davisonhighley.co.uk/products/skylon/>
- Download 2D & 3D CAD at <https://davisonhighley.co.uk/resources/product-images/>





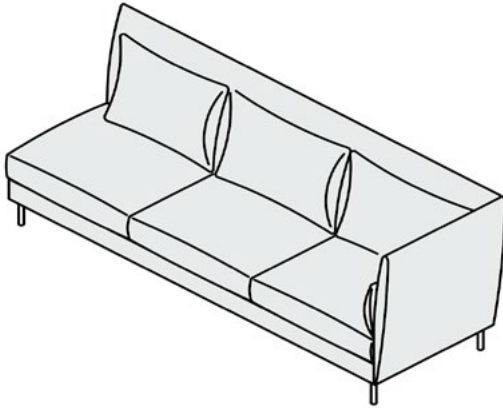
Skylon- low back

Environmental Scorecard October 2025

DAVISON HIGHLEY

Skylon low back 3 seater right hand on timber legs

SKY 03/L/RH-TL



- Low and high back armchair & sofa range.
- Suitable for public, reception, waiting and breakout areas.
- Upholstery finishes are available from our fabric & faux leather bands. Leather available by quotation.
- Option of turned tapered solid timber or solid aluminium legs.
- Seat constructed from engineered layers of CMHR foam.
- Fibre fill back cushions.
- This design can be tailored on request.

ENVIRONMENTAL DATA

Component material	Material type by mass (%Kg)	Embodied energy (MJ) ¹	Embodied carbon (KgCO2e) ²	Recycled content by mass (Kg) ³	Recyclability by Mass (Kg) ⁴
Plywood	33.3 %	233.2	24.4	20.0 %	31.6 %
Hardboard	8.3 %	44.4	4.4	2.5 %	7.9 %
Timber leg	0.8 %	3.8	0.3	0 %	0.8 %
Fabric ³	28.8 %	493.4	25.0	6.8 %	28.8 %
Foam	20.0 %	1467.4	38.7	1.0 %	20.0 %
Fibre Fill	4.3 %	285.5	9.1	2.8 %	0.6 %
Aluminium	0.4 %	37.2	2.0	0.1 %	0.3 %
Steel	0.2 %	2.4	0.3	0.04 %	0.1 %
Recycled Plastic	4.0 %	216.6	3.5	3.8 %	4.0 %
		2784 MJ	107.6 KgCO2e	37 % Kg	94.3 % Kg

- No prohibited or restricted substances, including heavy metals, phthalates or biocides
 - No SVHCs present at concentrations >0.1% in accordance with REACH
 - Water-based adhesives used in manufacturing
 - Low formaldehyde emissions of wood-based components (<20µg/m³)
 - All Scorecard data independently verified by Dragonfly Sustainability
 - Data is calculated using a non-specific fabric, speak to us about using recycled or environmentally friendly materials.
1. Total primary energy consumed from direct and indirect process (A1-A3) expressed in Megajoules (MJ)
 2. Total greenhouse gas emissions emitted (A1-A3) expressed in carbon dioxide equivalent (KgCO2e)
 3. Recycled content calculated in accordance with the ISO 14021 standard for pre- and post-consumer materials and aligned with agreed definitions for both.
 4. Recyclable content calculated in line with established definitions whereby a product, or material, is recyclable if it is effectively sorted, processed and/or sold as recycle in the UK.

ADDITIONAL INFORMATION

- 🔍 Learn more at <https://davisonhighley.co.uk/sustainability/>
- 📍 View the range at <https://davisonhighley.co.uk/products/skylon/>
- 📄 Download 2D & 3D CAD at <https://davisonhighley.co.uk/resources/product-images/>



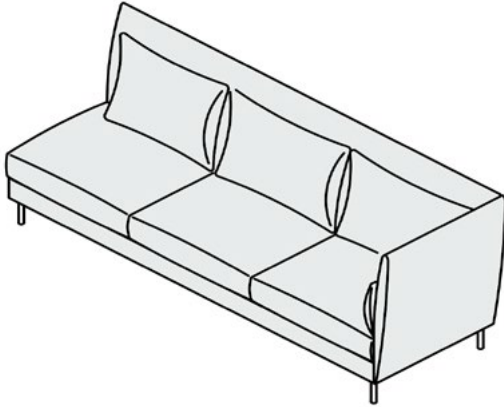


Skylon- low back

Environmental Scorecard October 2025

DAVISON HIGHLEY

Skylon low back 3 seater right hand on metal legs SKY 03/L/RH-ML



- Low and high back armchair & sofa range.
- Suitable for public, reception, waiting and breakout areas.
- Upholstery finishes are available from our fabric & faux leather bands. Leather available by quotation.
- Option of turned tapered solid timber or solid aluminium legs.
- Seat constructed from engineered layers of CMHR foam.
- Fibre fill back cushions.
- This design can be tailored on request.

ENVIRONMENTAL DATA

Component material	Material type by mass (%Kg)	Embodied energy (MJ) ¹	Embodied carbon (KgCO2e) ²	Recycled content by mass (Kg) ³	Recyclability by Mass (Kg) ⁴
Plywood	34.3 %	246.8	25.9	20.6%	32.6 %
Hardboard	8.1 %	44.4	4.4	2.4%	7.7 %
Fabric ³	28.0 %	493.4	25.0	6.2%	28.0 %
Foam	19.4 %	1467.4	38.7	1.0%	19.4 %
Fibre Fill	4.1 %	285.5	9.1	2.7%	0.6 %
Aluminium	2 %	210.8	11.2	0.6 %	2 %
Steel	0.2 %	2.4	0.3	0.03%	0.1 %
Recycled Plastic	3.9 %	216.6	3.5	3.7%	3.9 %
		2967.4 MJ	118 KgCO2e	37.2 % Kg	94.3 % Kg

- No prohibited or restricted substances, including heavy metals, phthalates or biocides
 - No SVHCs present at concentrations >0.1% in accordance with REACH
 - Water-based adhesives used in manufacturing
 - Low formaldehyde emissions of wood-based components (<20µg/m³)
 - All Scorecard data independently verified by Dragonfly Sustainability
 - Data is calculated using a non-specific fabric, speak to us about using recycled or environmentally friendly materials.
1. Total primary energy consumed from direct and indirect process (A1-A3) expressed in Megajoules (MJ)
 2. Total greenhouse gas emissions emitted (A1-A3) expressed in carbon dioxide equivalent (KgCO2e)
 3. Recycled content calculated in accordance with the ISO 14021 standard for pre- and post-consumer materials and aligned with agreed definitions for both.
 4. Recyclable content calculated in line with established definitions whereby a product, or material, is recyclable if it is effectively sorted, processed and/or sold as recycle in the UK.

ADDITIONAL INFORMATION

- Learn more at <https://davisonhighley.co.uk/sustainability/>
- View the range at <https://davisonhighley.co.uk/products/skylon/>
- Download 2D & 3D CAD at <https://davisonhighley.co.uk/resources/product-images/>





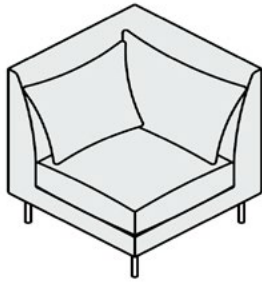
Skylon- low back

Environmental Scorecard October 2025

DAVISON HIGHLEY

Skylon low back single corner on timber legs

SKY 01/L/CNR-TL



- Low and high back armchair & sofa range.
- Suitable for public, reception, waiting and breakout areas.
- Upholstery finishes are available from our fabric & faux leather bands. Leather available by quotation.
- Option of turned tapered solid timber or solid aluminium legs.
- Seat constructed from engineered layers of CMHR foam.
- Fibre fill back cushions.
- This design can be tailored on request.

ENVIRONMENTAL DATA

Component material	Material type by mass (%Kg)	Embodied energy (MJ) ¹	Embodied carbon (KgCO2e) ²	Recycled content by mass (Kg) ³	Recyclability by Mass (Kg) ⁴
Plywood	37.9 %	158.4	16.6	22.7 %	36.0 %
Hardboard	4.8 %	15.3	1.5	1.4 %	4.6 %
Timber leg	1.3 %	3.8	0.3	0 %	1.3 %
Fabric ³	36.2 %	370.1	18.7	9.1 %	36.2 %
Foam	12.6 %	551.6	14.5	0.6 %	12.6 %
Fibre Fill	4.0 %	160.6	5.1	2.6 %	0.6 %
Aluminium	0.6 %	37.2	2.0	0.2 %	0.6 %
Recycled Plastic	2.5 %	81.6	1.3	2.4 %	2.5 %
		1378.6 MJ	60 KgCO2e	39.2 % Kg	94.4 % Kg

- No prohibited or restricted substances, including heavy metals, phthalates or biocides
 - No SVHCs present at concentrations >0.1% in accordance with REACH
 - Water-based adhesives used in manufacturing
 - Low formaldehyde emissions of wood-based components (<20µg/m³)
 - All Scorecard data independently verified by Dragonfly Sustainability
 - Data is calculated using a non-specific fabric, speak to us about using recycled or environmentally friendly materials.
1. Total primary energy consumed from direct and indirect process (A1-A3) expressed in Megajoules (MJ)
 2. Total greenhouse gas emissions emitted (A1-A3) expressed in carbon dioxide equivalent (KgCO2e)
 3. Recycled content calculated in accordance with the ISO 14021 standard for pre- and post-consumer materials and aligned with agreed definitions for both.
 4. Recyclable content calculated in line with established definitions whereby a product, or material, is recyclable if it is effectively sorted, processed and/or sold as recycle in the UK.

ADDITIONAL INFORMATION

- 🔍 Learn more at <https://davisonhighley.co.uk/sustainability/>
- ➡ View the range at <https://davisonhighley.co.uk/products/skylon/>
- ⬇ Download 2D & 3D CAD at <https://davisonhighley.co.uk/resources/product-images/>





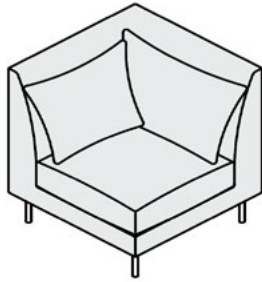
Skylon- low back

Environmental Scorecard October 2025

DAVISON HIGHLEY

Skylon low back single corner on metal legs

SKY 01/L/CNR-ML



- Low and high back armchair & sofa range.
- Suitable for public, reception, waiting and breakout areas.
- Upholstery finishes are available from our fabric & faux leather bands. Leather available by quotation.
- Option of turned tapered solid timber or solid aluminium legs.
- Seat constructed from engineered layers of CMHR foam.
- Fibre fill back cushions.
- This design can be tailored on request.

ENVIRONMENTAL DATA

Component material	Material type by mass (%Kg)	Embodied energy (MJ) ¹	Embodied carbon (KgCO2e) ²	Recycled content by mass (Kg) ³	Recyclability by Mass (Kg) ⁴
Plywood	37.3 %	158.4	16.6	22.4%	35.5%
Hardboard	4.7 %	15.3	1.5	1.4%	4.5%
Fabric ³	35.7 %	370.1	18.7	7.9%	35.7%
Foam	12.4 %	551.6	14.5	0.6%	12.4%
Fibre Fill	4.0 %	160.6	5.1	2.6%	0.6%
Aluminium	3.4 %	210.8	11.2	1 %	3.4%
Recycled Plastic	2.5 %	81.6	1.3	2.4%	2.5%
		1548.4 MJ	69 KgCO2e	38.4 % Kg	94.5 % Kg

- No prohibited or restricted substances, including heavy metals, phthalates or biocides
 - No SVHCs present at concentrations >0.1% in accordance with REACH
 - Water-based adhesives used in manufacturing
 - Low formaldehyde emissions of wood-based components (<20µg/m³)
 - All Scorecard data independently verified by Dragonfly Sustainability
 - Data is calculated using a non-specific fabric, speak to us about using recycled or environmentally friendly materials.
1. Total primary energy consumed from direct and indirect process (A1-A3) expressed in Megajoules (MJ)
 2. Total greenhouse gas emissions emitted (A1-A3) expressed in carbon dioxide equivalent (KgCO2e)
 3. Recycled content calculated in accordance with the ISO 14021 standard for pre- and post-consumer materials and aligned with agreed definitions for both.
 4. Recyclable content calculated in line with established definitions whereby a product, or material, is recyclable if it is effectively sorted, processed and/or sold as recycle in the UK.

ADDITIONAL INFORMATION

- Learn more at <https://davisonhighley.co.uk/sustainability/>
- View the range at <https://davisonhighley.co.uk/products/skylon/>
- Download 2D & 3D CAD at <https://davisonhighley.co.uk/resources/product-images/>

