

Plia

by **DAVISON
HIGHLEY**

BROCHURE 2025

Plia brings luxurious comfort to your workspace, with soft seat and backs, additional scatter cushions and classic looks.

A sofa range that can either be used as separate elements or combined as a modular system combining straight and curved units to create indulgently comfortable seating runs.



PRODUCT INFORMATION

- Soft seating range.
- Suitable for front of house, breakout, social & reception areas
- Upholstery finishes are available from our fabric & faux leather bands. Leather available by quotation.
- Turned tapered solid timber legs
- Seat constructed from engineered layers of CMHR foam.
- Fibre fill back cushions.
- This design can be tailored on request.

Plia leg options



Solid timber
Turned tapered legs
Beech, Oak, Dark Oak stained, Black stained

Integrated power

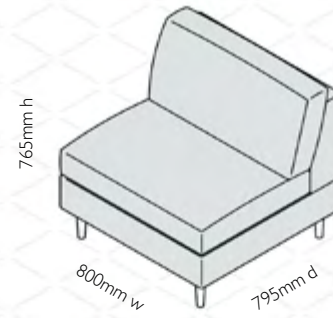


OE electrics Phase TUF

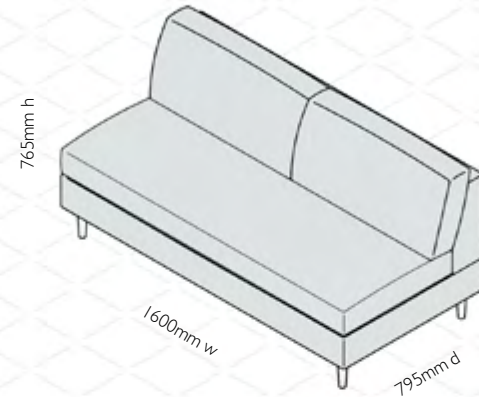
RETAIL PRICE

code	description
PLA 01	1 seater straight
PLA 02	2 seater straight
PLA 02-C	2 seater curved sofa
PLA-CSH	Scatter cushion

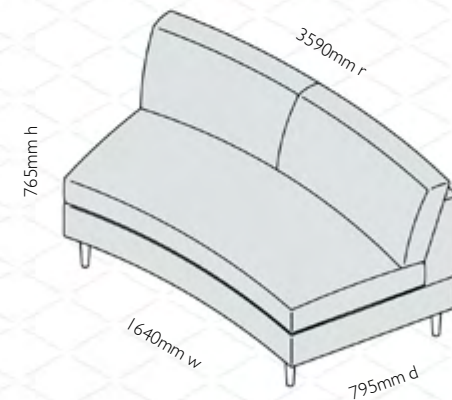
- Leather upholstery available by quotation only
- Supplied on turned tapered timber legs.
- Tailor this design to your specification.
- * Fabric metres- refers to plain not patterned fabrics with a width of 1300mm.
- Scatter & Bolster cushions are available as an optional extra.



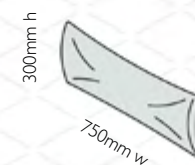
Plia 1 seater
Straight
PLA 01



Plia 2 seater
Straight
PLA 02



Plia 2 seater
Curve
PLA 02c



Plia scatter cushion
PLA-CSH

Seat height: 425mm
Seat depth: 500mm

Download 2D space planning blocks & 3D models from www.davisonhighley.co.uk/product-downloads

Please note that the dimensions above are rounded to the nearest 5mm, please use our CAD files when space-planning

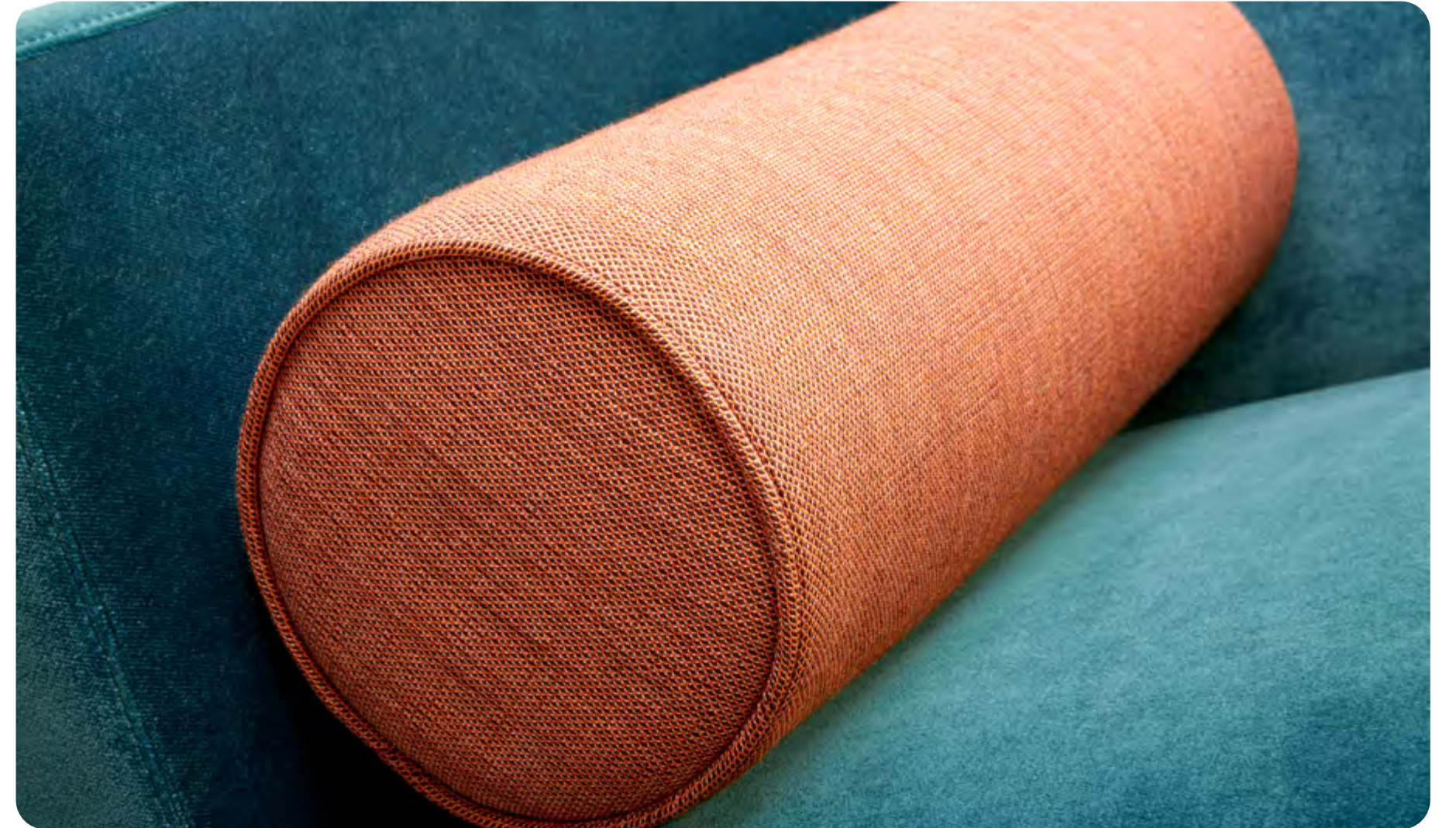
Integrated Power



RETAIL PRICE

code	description
PHS 01	White
PHS 02	Black

- OE electrics Phase TUF, fitted below the front border
- Single 3 pin UK power + USB (Type A & Type C)
- Supplied with a 2 metre power cable



Scatter cushions

We offer a range of scatter cushions which can be used to accessorise many of our standard designs. Fibre filled, in a selection of upholstery finishes.

RETAIL PRICE

code	description
STC 01	Small square fibre-fill cushion 400mm X 400mm
STC 02	Medium square fibre-fill cushion 500mm X 500mm
STC 03	Large square fibre-fill cushion 600mm X 600mm
STC 04	Small rectangular fibre-fill cushion 550mm X 270mm
STC 05	Large rectangular fibre-fill cushion 600mm X 400mm
EL CSH	A Pair of pebble shaped feather & down cushions; x1 at 480mm x 340mm & x1 at 575mm x 410mm

- Leather upholstery available by quotation only
- Add piping to match cushion covers (self piped) or piping to contrast cushion covers (contrast piped) by quotation.
- * Fabric metres- refers to plain not patterned fabrics.
- The fibre-filling may be exchanged for feather & down filling at an additional cost by quotation.

Bolster cushions

A selection of bolsters designed to complement many of our standard ranges and available in a choice of upholstery finishes.

RETAIL PRICE

code	description
BOL 01	Cylindrical foam bolster 160mm Dia X 475mm / 6.5" Dia X 19"
BOL 02	Rectangular foam bolster 160mm Square X 475mm / 6.5" Square X 19"

- Leather upholstery available by quotation only
- Bolster cushions can be added to many of our standard collection designs, please see the specific product pages for details.
- * Fabric metres- refers to plain not patterned fabrics.



Achieve bespoke levels of on site integration without the cost implications

Everything we manufacture is to order, as such we can **tailor** our standard collection furniture lets you achieve bespoke levels of on site integration without the cost implications, creating areas which may normally be restricted by budgets if looking at a custom-made solution. Fit furniture between walls or below windows, reduce sizes to fit your floor plan or integrate with on site features.

Tailoring allows you to make up to two modifications;

- Modify the width of the design.
- Modify the height of the design.
- Upholstery in a challenging fabric.
- Alter the leg type, finish or shape.
- Adjust the upholstery detailing.

Designs requiring more than two alterations are uplifted to “Bespoke” products and costed accordingly.



Look for this logo on our standard collection designs

Please get in touch and discuss your requirements with us.

< ALIGNING THE BACK HEIGHT OF WUNDERWALL -BOULEVARD WITH THE DIVIDING SHELVING UNITS

FABRIC BAND	FABRIC BAND	FABRIC BAND	FABRIC BAND	FABRIC BAND	FABRIC BAND	FABRIC BAND	LEATHER
0	1	2	3	4	5	6	Supplied by quotation only
Customers own material	Camira Era Camira Rivet	Camira Aspect Camira Main Line Plus Camira Quest Camira Replay Camira Vita	Agua Boucle Camira Aquarius Camira Blazer Camira Halcyon Cedar Camira Main Line Flax Camira Main Line Twist Camira Oceanic Camira Sumi Camira Synergy	Camira Deca Camira Halcyon Aspen Camira Halcyon Blossom Camira Hemp Camira Silk Camira Track Camira Yordale (Boucle)	Bute Alchemy Bute Tweed Camira Craggen Flax Camira Resku Camira Revolution Gabriel Nobel Kvadrat Clara 2 Kvadrat Hero 2 Kvadrat Hero Heather Kvadrat Tonica 2	Gabriel Comfort + Kvadrat Divina 3 Kvadrat Divina Melange 3 Kvadrat Fiord Kvadrat Melange Nap Kvadrat Re-Wool Kvadrat Sabi Kvadrat Steelcut Trio 3 Textile Mania Orbit Textile Mania Compass Vescom Ariana	Crest JMT Shelly Crest Newcastle Muirhead Caledonian Muirhead Grampian Yarwood Chelsea Yarwood Heritage Yarwood Lomond Yarwood Origin Yarwood Style
	Spradling Valencia C5 (Vinyl) Vescom Samar Yarwood Dollaro	Gabriel Grain Gabriel Just InLoom Jeans InLoom Jet InLoom Jet Bioactive InLoom Roccia Malone Chelsea Malone Rosso (Vinyl) Malone Secreto Malone Skai Tundra (Vinyl) Spradling Chronos Svensson Ally Svensson Easy Svensson Hello RE Svensson Macro Svensson Semi Svensson Tone Vescom Hestan	Gabriel Breeze Fusion Gabriel Capture Gabriel Crisp Gabriel Cura Gabriel Fame Gabriel Focus Gabriel Focus Melange Gabriel Passion Gabriel Select Inloom Spazio Kvadrat Atlas Kvadrat Reflect Kvadrat Remix 3 Malone Cocoon Malone Quartz Malone Skai Sotega (Vinyl) Svensson Node Selers Stanford Vescom Auckland (Boucle) Vescom Burton Vescom Fuga Vescom Lindau Vescom Rolla Vescom Wilson Yarwood Vintage (Vinyl)	Svensson Heritage C5 Svensson Khaki Svensson Mingel Svensson Poppy Svensson Step Svensson Velvet Vescom Foster Vescom Lamu Vescom Moore Vescom Noss Vescom Ponza Vescom Wolin	Kvadrat Clara 2 Kvadrat Hero 2 Kvadrat Hero Heather Kvadrat Tonica 2 Svensson Balance Svensson Club Svensson Ink Svensson Velvet Sekers Synergy Boucle Sabik Sekers Synergy Boucles (Sabik & Saiph) Sekers Fiora 1 & 2 Textile Mania Broken Stones		

Fabric bands

- Not all standard fabrics, vinyl's and leathers are suitable for all products within our collection. Please contact us to discuss your requirements
- Fabric and leather bands listed are for guidance only. We are happy to consider and offer an opinion on any alternative upholstery fabric or leather which does not appear on the above list in respect of its suitability, pattern matching, or other features.
- Please contact us directly for pricing and Davison Highley approval when specifying an unlisted fabric or leather.
- We reserve the right to reject a fabric or leather on inspection, if we feel it is unsuitable or will compromise the quality of finish on the furniture. For example; some patterned or unyielding fabrics do not work well with sculptural shapes.
- Davison Highley cannot guarantee that a unlisted fabric or leather will match the upholstery finish achieved when using a fabric or leather from the above list.
- All listed fabrics meet a minimum fire rating standard of BSEN 1021 1&2* All other fabric and leather specifications are as per manufacturers details. Davison Highley will not upholster with a material which does not meet BSEN 1021 1&2.
- Additional charges may apply when working with some complex fabrics.
- As a natural material, leather will develop character (puddle and crease) over time. Although we will attempt to use the best cuts from a hide, some natural markings may still be visible.
- The maximum hide thickness we are happy to work with is 1.3mm, please speak to us directly if you would like to use a leather which is over this maximum thickness as it may be possible to "Skive" (reduce the thickness) of the leather. Additional charges apply.
- Davison Highley reserves the right to change the list of standard fabrics and leathers without notice.

*** APPROPRIATE FINISHES**
It is our clients responsibility to specify upholstery finishes appropriate to the area the furniture occupies and for its intended end use.

Should furniture be intended for higher risk or high traffic areas, for specific purposes and/or require additional fire-retardancy treatment, please advise us. We can assist in selecting the appropriate upholstery finish.

Finishes

RANGE	DESIGN	PLASTIC LEG	METAL LEG / BASE FINISH	TIMBER LEG FINISH	TABLE TOP & BASE FINISH
SOFAS & ARMCHAIRS	Bebe	-	Corner leg- bright polished or brushed.	-	-
	BEEcozy	Nylon Glide	bright polished, brushed, black powder coated	natural beech, natural oak, dark stained oak, black stained beech- lacquered	Laminate- White (Egger White W1000 ST9), Black (Egger U999), Oak (Egger Natural Kendal Oak- H3170 ST12), Walnut (Natural Dijon Walnut- H3734 ST9), Dark oak (Truffle Brown Davos Oak- H3133 ST12)
	Chime	Nylon Glide	-	-	-
	EL	-	bright polished, brushed, black powder coated	-	Laminate- White (Egger White W1000 ST9), Black (Egger U999), Oak (Egger Natural Kendal Oak- H3170 ST12), Walnut (Natural Dijon Walnut- H3734 ST9), Dark oak (Truffle Brown Davos Oak- H3133 ST12)
	Headline	-	bright polished, brushed, black powder coated	natural beech, natural oak, dark stained oak, black stained beech- lacquered	-
	Lacey	-	-	natural beech, natural oak, dark stained oak, black stained beech- lacquered	-
	Reed	Nylon Glide	-	natural beech, natural oak, dark stained oak, black stained beech- lacquered	-
	Rolo	Nylon Glide	-	-	Laminate- White (Egger White W1000 ST9), Black (Egger U999), Oak (Egger Natural Kendal Oak- H3170 ST12), Walnut (Natural Dijon Walnut- H3734 ST9), Dark oak (Truffle Brown Davos Oak- H3133 ST12)
WORKSPACES	Skylon	-	bright polished, brushed, black powder coated	natural beech, natural oak, dark stained oak, black stained beech- lacquered	-
	Bloid	Nylon Glide	-	-	-
	Skylon meeting sofa	-	bright polished, brushed, black powder coated	natural beech, natural oak, dark stained oak, black stained beech- lacquered	-
	Skylon work booth	-	bright polished, brushed, black powder coated	natural beech, natural oak, dark stained oak, black stained beech- lacquered	Laminate- White (Egger White W1000 ST9), Black (Egger U999), Oak (Egger Natural Kendal Oak- H3170 ST12), Walnut (Natural Dijon Walnut- H3734 ST9), Dark oak (Truffle Brown Davos Oak- H3133 ST12)
	Skylon work chair	-	bright polished, brushed, black powder coated	natural beech, natural oak, dark stained oak, black stained beech- lacquered	Laminate- White (Egger White W1000 ST9), Black (Egger U999), Oak (Egger Natural Kendal Oak- H3170 ST12), Walnut (Natural Dijon Walnut- H3734 ST9), Dark oak (Truffle Brown Davos Oak- H3133 ST12)
	Wunderwall-Boulevard	Nylon Glide	bright polished, brushed, black powder coated	-	Laminate- White (Egger White W1000 ST9), Black (Egger U999), Oak (Egger Natural Kendal Oak- H3170 ST12), Walnut (Natural Dijon Walnut- H3734 ST9), Dark oak (Truffle Brown Davos Oak- H3133 ST12)
BANQUETTE & MODULAR	Wunderwall-EL	-	bright polished, brushed, black powder coated	-	Laminate- White (Egger White W1000 ST9), Black (Egger U999), Oak (Egger Natural Kendal Oak- H3170 ST12), Walnut (Natural Dijon Walnut- H3734 ST9), Dark oak (Truffle Brown Davos Oak- H3133 ST12)
	BEE	Nylon Glide	bright polished, brushed, black powder coated	natural beech, natural oak, dark stained oak, black stained beech- lacquered	Laminate- White (Egger White W1000 ST9), Black (Egger U999), Oak (Egger Natural Kendal Oak- H3170 ST12), Walnut (Natural Dijon Walnut- H3734 ST9), Dark oak (Truffle Brown Davos Oak- H3133 ST12)
	BEEfluted	Nylon Glide	bright polished, brushed, black powder coated	natural beech, natural oak, dark stained oak, black stained beech- lacquered	Laminate- White (Egger White W1000 ST9), Black (Egger U999), Oak (Egger Natural Kendal Oak- H3170 ST12), Walnut (Natural Dijon Walnut- H3734 ST9), Dark oak (Truffle Brown Davos Oak- H3133 ST12)
	Boulevard	Nylon Glide	bright polished, brushed, black powder coated	-	Laminate- White (Egger White W1000 ST9), Black (Egger U999), Oak (Egger Natural Kendal Oak- H3170 ST12), Walnut (Natural Dijon Walnut- H3734 ST9), Dark oak (Truffle Brown Davos Oak- H3133 ST12)
	EL work modular	-	bright polished, brushed, black powder coated	-	Laminate- White (Egger White W1000 ST9), Black (Egger U999), Oak (Egger Natural Kendal Oak- H3170 ST12), Walnut (Natural Dijon Walnut- H3734 ST9), Dark oak (Truffle Brown Davos Oak- H3133 ST12)
STOOLS & BENCHES	Elements	Nylon Glide	-	-	Laminate- White (Egger White W1000 ST9), Black (Egger U999), Oak (Egger Natural Kendal Oak- H3170 ST12), Walnut (Natural Dijon Walnut- H3734 ST9), Dark oak (Truffle Brown Davos Oak- H3133 ST12)
	Allsorts	Nylon Glide	-	-	-
	Bertie	Nylon Glide	-	-	-
	Doug	-	-	natural beech, natural oak, dark stained oak, black stained beech- lacquered	-
	Joseph	-	-	natural beech, natural oak, dark stained oak, black stained beech- lacquered	Laminate- White (Egger White W1000 ST9), Black (Egger U999), Oak (Egger Natural Kendal Oak- H3170 ST12), Walnut (Natural Dijon Walnut- H3734 ST9), Dark oak (Truffle Brown Davos Oak- H3133 ST12)
	Lacey	-	-	natural beech, natural oak, dark stained oak, black stained beech- lacquered	Laminate- White (Egger White W1000 ST9), Black (Egger U999), Oak (Egger Natural Kendal Oak- H3170 ST12), Walnut (Natural Dijon Walnut- H3734 ST9), Dark oak (Truffle Brown Davos Oak- H3133 ST12)
TABLES	Allsorts	Nylon Glide	-	-	Laminate- White (Egger White W1000 ST9), Black (Egger U999), Oak (Egger Natural Kendal Oak- H3170 ST12), Walnut (Natural Dijon Walnut- H3734 ST9), Dark oak (Truffle Brown Davos Oak- H3133 ST12)
	Chime	Nylon Glide	-	-	Laminate- White (Egger White W1000 ST9), Black (Egger U999), Oak (Egger Natural Kendal Oak- H3170 ST12), Walnut (Natural Dijon Walnut- H3734 ST9), Dark oak (Truffle Brown Davos Oak- H3133 ST12)
	Doug	-	-	natural beech, natural oak, dark stained oak, black stained beech- lacquered	Laminate- White (Egger White W1000 ST9), Black (Egger U999), Oak (Egger Natural Kendal Oak- H3170 ST12), Walnut (Natural Dijon Walnut- H3734 ST9), Dark oak (Truffle Brown Davos Oak- H3133 ST12)
	EL	-	bright polished, brushed, black powder coated	natural beech, natural oak, dark stained oak, black stained beech- lacquered	Laminate- White (Egger White W1000 ST9), Black (Egger U999), Oak (Egger Natural Kendal Oak- H3170 ST12), Walnut (Natural Dijon Walnut- H3734 ST9), Dark oak (Truffle Brown Davos Oak- H3133 ST12)
	Engage	-	Pedestal base- brushed, black powder coated	-	Laminate- White (Egger White W1000 ST9), Black (Egger U999), Oak (Egger Natural Kendal Oak- H3170 ST12), Walnut (Natural Dijon Walnut- H3734 ST9), Dark oak (Truffle Brown Davos Oak- H3133 ST12)
	Hestel	-	Pedestal base- black powder coated	-	Laminate- White (Egger White W1000 ST9), Black (Egger U999), Oak (Egger Natural Kendal Oak- H3170 ST12), Walnut (Natural Dijon Walnut- H3734 ST9), Dark oak (Truffle Brown Davos Oak- H3133 ST12)
	Lacey	-	-	natural beech, natural oak, dark stained oak, black stained beech- lacquered	Laminate- White (Egger White W1000 ST9), Black (Egger U999), Oak (Egger Natural Kendal Oak- H3170 ST12), Walnut (Natural Dijon Walnut- H3734 ST9), Dark oak (Truffle Brown Davos Oak- H3133 ST12)
	Loui	-	Frame base- black powder coated	-	Laminate- White (Egger White W1000 ST9), Black (Egger U999), Oak (Egger Natural Kendal Oak- H3170 ST12), Walnut (Natural Dijon Walnut- H3734 ST9), Dark oak (Truffle Brown Davos Oak- H3133 ST12)

- The charts to the left should be used in conjunction with the relevant design pages to establish the options available.

- When we make reference to particular timber (natural beech, natural oak, natural walnut) or laminate finishes (white, black, oak, walnut, dark oak), they refer to our standard supplied finishes only.

- We can match to a specific client specified colour, finish or material, but require either a sample or material reference.

- We reserve the right to reject a material or finish, if we feel it is unsuitable or will compromise the quality of finish on the furniture.

TIMBER FINISHES

Timber is a natural material as such colour and grain variations may occur. All our timber is either left in it's beautiful natural colour or stained before a clear lacquer is applied.

Design, Manufacture & Office

Old North Works
Old Oxford Road
Piddington
High Wycombe
Buckinghamshire
HP14 3BE

Tel. +44 (0) 1494 881912

info@davisonhighley.com

www.davisonhighley.com

Find us on these platforms



London showroom

Lower Ground Floor
The Old Brewery
16 Brewhouse Yard
Clerkenwell
London
EC1V 4LJ

Tel. +44 (0) 207 871 1089