

BEE-fluted

by **DAVISON
HIGHLEY**

BROCHURE 2025

Built upon our **BEE** modular range, **BEE-fluted** takes the design to the next level with its soft fluting creating a visually dynamic look.

The range of undulating straight sections and gentle curves can be arranged together to form inviting spaces where employees can collaborate or relax.

Compatible with the **BEE** modular range, designers can create a cohesive design aesthetic for the entire workplace.



PRODUCT INFORMATION

- Soft modular seating range with accompanying table & planter elements.
- Suitable for office, educational, breakout areas
- Upholstery finishes are available from our fabric & faux leather bands. Leather available by quotation.
- Black nylon glides.
- Seat and back constructed from engineered layers of CMHR foam.
- Table tops are laminate tops with laquered ply edges
- This design can be altered as a bespoke option.
- Planters supplied with plastic liners

BEE foot



Nylon glides
Black

BEE table leg options



Solid aluminium
Cylindrical leg
Polished, Brushed or
Black powder-coated

Solid timber
Tapered leg
Beech, Oak,
Dark Oak stained
or Black stained

BEE table & planter top options



Laminate
Table tops
White, Black, Oak, Walnut or Dark Oak

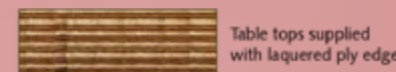


Table tops supplied
with laquered ply edge

Integrated power



OE electrics Pixel TUF

Downloadable Sustainability Scorecard



Integrated Power

RETAIL PRICE

code	description
PIX 01	White with silver bezel
PIX 02	Black with silver bezel
PIX 03	Black with black bezel

- OE electrics Pixel TUF fitted into the front seat border
- Single 3 pin UK power + USB (Type A & Type C)
- Supplied with a 2 metre power cable

BEEfluted-modular 1 seater Straight BEE/f-m01
 815mm h, 600mm w, 730mm d

BEEfluted-modular 2 seater Straight BEE/f-m02
 815mm h, 1200mm w, 730mm d

BEEfluted-modular 2.5 seater Straight BEE/f-m025
 815mm h, 1500mm w, 730mm d

BEEfluted-modular 1 seater 45 degree inward curve BEE/f-m01c-45IN
 815mm h, 905mm w, 465mm r, 730mm d

BEEfluted-modular 1 seater 45 degree outward curve BEE/f-m01c-45OUT
 815mm h, 905mm w, 1200mm r, 730mm d

BEEfluted-modular 1 seater 22.5 degree inward curve BEE/f-m01c-22IN
 815mm h, 770mm w, 2000mm r, 730mm d

BEEfluted-modular 1 seater 22.5 degree outward curve BEE/f-m01c-22OUT
 815mm h, 770mm w, 1270mm r, 730mm d

BEEfluted-modular 2 seater 90 degree inward curve BEE/f-m02c-90IN
 815mm h, 1680mm w, 465mm r, 730mm d

BEEfluted-modular 2 seater 90 degree outward curve BEE/f-m02c-90OUT
 815mm h, 1680mm w, 1200mm r, 730mm d

BEEfluted-modular 2 seater 45 degree inward curve BEE/f-m02c-45IN
 815mm h, 1520mm w, 1270mm r, 730mm d

BEEfluted-modular 2 seater 45 degree Outward curve BEE/f-m02c-45OUT
 815mm h, 1470mm w, 2000mm r, 730mm d

BEEfluted-modular 1 seater Straight bench BEE/f-m01b
 435mm h, 600mm w, 730mm d

BEEfluted-modular 2 seater Straight bench BEE/f-m02b
 435mm h, 1200mm w, 730mm d

BEEfluted-modular 2.5 seater Straight bench BEE/f-m025b
 435mm h, 1500mm w, 730mm d

BEEfluted-modular 1 seater 45 degree curved bench BEE/f-m01c-45b
 435mm h, 905mm w, 465mm r, 730mm d

BEEfluted-modular 1 seater 22.5 degree curved bench BEE/f-m01c-22b
 435mm h, 775mm w, 1270mm r, 730mm d

BEEfluted-modular 2 seater 90 degree curved bench BEE/f-m02c-90b
 435mm h, 1680mm w, 465mm r, 730mm d

BEEfluted-modular 2 seater 45 degree curve bench BEE/f-m02c-45b
 435mm h, 1520mm w, 1270mm r, 730mm d

BEEfluted-modular Corner BEE/f-m-CNR
 815mm h, 700mm w, 700mm d

BEEfluted-modular Arm BEE/f-m-ARM
 815mm h, 300mm w, 730mm d

Seat height: 435mm
 Seat depth: 495mm

Download 2D space planning blocks & 3D models from www.davisonhighley.co.uk/product-downloads

Please note that the dimensions above are rounded to the nearest 5mm, please use our CAD files when space-planning

BEE-fluted modular

RETAIL PRICE

code	description
BEE/f-m01	BEEfluted-modular 1 seater straight
BEE/f-m02	BEEfluted-modular 2 seater straight
BEE/f-m025	BEEfluted-modular 2.5 seater straight
BEE/f-m01c-45IN	BEEfluted-modular 1 seater 45 degree inward curve
BEE/f-m01c-45OUT	BEEfluted-modular 1 seater 45 degree outward curve
BEE/f-m01c-22IN	BEEfluted-modular 1 seater 22.5 degree inward curve
BEE/f-m01c-22OUT	BEEfluted-modular 1 seater 22.5 degree outward curve
BEE/f-m02c-90IN	BEEfluted-modular 2 seater 90 degree inward curve
BEE/f-m02c-90OUT	BEEfluted-modular 2 seater 90 degree outward curve
BEE/f-m02c-45IN	BEEfluted-modular 2 seater 45 degree inward curve
BEE/f-m02c-45OUT	BEEfluted-modular 2 seater 45 degree outward curve
BEE/f-m01b	BEEfluted-modular 1 seater straight bench
BEE/f-m02b	BEEfluted-modular 2 seater straight bench
BEE/f-m025b	BEEfluted-modular 2.5 seater straight bench
BEE/f-m01c-45b	BEEfluted-modular 1 seater 45 degree curved bench
BEE/f-m01c-22b	BEEfluted-modular 1 seater 22.5 degree curved bench
BEE/f-m02c-90b	BEEfluted-modular 2 seater 90 degree curved bench
BEE/f-m02c-45b	BEEfluted-modular 2 seater 45 degree curved bench
BEE/f-m-CNR	BEEfluted-modular corner
BEE/f-m-ARM	BEEfluted-modular arm

- Leather upholstery available by quotation only
- Supplied on nylon glides.
- As a modular design please supply a drawing of the intended layout with the order.
- Laminated table tops with birch ply edge.
- Tables supplied on solid aluminium or solid timber pedestal leg.
- * Fabric metres- refers to plain not patterned fabrics with a width of 1300mm.
- This design can only be altered as a bespoke option.
- Supplied with linking system.
- Scatter & Bolster cushions are available as an optional extra.
- Power modules can be fitted to this design



Integrated Power

RETAIL PRICE

code	description
PIX 01	White with silver bezel
PIX 02	Black with silver bezel
PIX 03	Black with black bezel

- OE electrics Pixel TUF, fitted into the front seat border
- Single 3 pin UK power + USB (Type A & Type C)
- Supplied with a 2 metre power cable

BEE-fluted modular-flat back units are designed to work with the BEE planting range

Seat height: 435mm
Seat depth: 495mm

Download 2D space planning blocks & 3D models from www.davisonhighley.co.uk/product-downloads

BEE-fluted modular-flat back

RETAIL PRICE

code	description
BEE/f-m01-FB	BEEfluted-modular-flat back 1 seater straight
BEE/f-m02-FB	BEEfluted-modular-flat back 2 seater straight
BEE/f-m025-FB	BEEfluted-modular-flat back 2.5 seater straight
BEE/f-m01c-45IN-FB	BEEfluted-modular-flat back 1 seater 45 degree inward curve
BEE/f-m01c-45OUT-FB	BEEfluted-modular-flat back 1 seater 45 degree outward curve
BEE/f-m01c-22IN-FB	BEEfluted-modular-flat back 1 seater 22.5 degree inward curve
BEE/f-m01c-22OUT-FB	BEEfluted-modular-flat back 1 seater 22.5 degree outward curve
BEE/f-m02c-90IN-FB	BEEfluted-modular-flat back 2 seater 90 degree inward curve
BEE/f-m02c-90OUT-FB	BEEfluted-modular-flat back 2 seater 90 degree outward curve
BEE/f-m02c-45IN-FB	BEEfluted-modular-flat back 2 seater 45 degree inward curve
BEE/f-m02c-45OUT-FB	BEEfluted-modular-flat back 2 seater 45 degree outward curve
BEE/f-m01b-FB	BEEfluted-modular-flat back 1 seater straight bench
BEE/f-m02b-FB	BEEfluted-modular-flat back 2 seater straight bench
BEE/f-m025b-FB	BEEfluted-modular-flat back 2.5 seater straight bench
BEE/f-m-CNR-FB	BEEfluted-modular-flat back corner
BEE/f-m-ARM-FB	BEEfluted-modular-flat back arm

- Leather upholstery available by quotation only
- Supplied on nylon glides.
- As a modular design please supply a drawing of the intended layout with the order.
- Laminated table tops with birch ply edge.
- Tables supplied on solid aluminium or solid timber pedestal leg.
- * Fabric metres- refers to plain not patterned fabrics with a width of 1300mm.
- This design can only be altered as a bespoke option.
- Supplied with linking system.
- Scatter & Bolster cushions are available as an optional extra.
- Power modules can be fitted to this design



BEE-fluted flexible / BEE-fluted settled

RETAIL PRICE

code	description
BEE/f-f01-BTB	BEEfluted-flexible 1 seater back to back
BEE/f-f02-BTB	BEEfluted-flexible 2 seater back to back
BEE/f-f025-BTB	BEEfluted-flexible 2.5 seater back to back
BEE/f-f02c-90-BTB	BEEfluted-flexible 2 seater 90 degree curve back to back
BEE/f-f02c-45-BTB	BEEfluted-flexible 2 seater 45 degree curve back to back
BEE/f-f-SSC	BEEfluted-flexible Small semi-circle
BEE/f-f-LSC	BEEfluted-flexible Large semi-circle
BEE/f-s01	BEEfluted-settled 1 seater straight
BEE/f-s02	BEEfluted-settled 2 seater straight
BEE/f-s025	BEEfluted-settled 2.5 seater straight
BEE/f-s01-RH	BEEfluted-settled 1 seater extended screen right-hand
BEE/f-s01-LH	BEEfluted-settled 1 seater extended screen left-hand
BEE/f-s02-RH	BEEfluted-settled 2 seater extended screen right-hand
BEE/f-s02-LH	BEEfluted-settled 2 seater extended screen left-hand

- Leather upholstery available by quotation only
- Supplied on nylon glides.
- As a modular design please supply a drawing of the intended layout with the order.
- Laminated table tops with birch ply edge.
- Tables supplied on solid aluminium or solid timber pedestal leg.
- * Fabric metres- refers to plain not patterned fabrics with a width of 1300mm.
- This design can only be altered as a bespoke option.
- Supplied with linking system.
- Scatter & Bolster cushions are available as an optional extra.
- Power modules can be fitted to this design



815mm h
600mm w 1350mm d
BEEfluted-flexible 1 seater back to back
BEE-f01-BTB

815mm h
1200mm w 1350mm d
BEEfluted-flexible 2 seater back to back
BEE-f02-BTB

815mm h
1500mm w 1350mm d
BEEfluted-flexible 2.5 seater back to back
BEE-f025-BTB

815mm h
2550mm w 465mm r 1350mm d
BEEfluted-flexible 2 seater 90 degree curve back to back
BEE-f02c-90-BTB

815mm h
1990mm w 1270mm r 1350mm d
BEEfluted-flexible 2 seater 45 degree curve back to back
BEE-f02c-45-BTB

815mm h
1330mm w 675mm d
BEEfluted-flexible Small semi-circle
BEE-f-SSC

815mm h
1630mm w 825mm d
BEEfluted-flexible Large semi-circle
BEE-f-LSC

1300mm h
600mm w 720mm d
BEEfluted-settled 1 seater Straight
BEE/f-s01

1300mm h
1200mm w 720mm d
BEEfluted-settled 2 seater Straight
BEE/f-s02

1300mm h
1500mm w 720mm d
BEEfluted-settled 2.5 seater Straight
BEE/f-s025

1300mm h
900mm w 720mm d
BEEfluted-settled 1 seater extended screen right-hand
BEE/f-s01-RH

1300mm h
900mm w 720mm d
BEEfluted-settled 1 seater extended screen left-hand
BEE/f-s01-LH

1300mm h
1500mm w 720mm d
BEEfluted-settled 2 seater extended screen right-hand
BEE/f-s02-RH

1300mm h
1500mm w 720mm d
BEEfluted-settled 2 seater extended screen left-hand
BEE/f-s02-LH

Seat height: 435mm
Seat depth: 495mm

Download 2D space planning blocks & 3D models from www.davisonhighley.co.uk/product-downloads

Please note that the dimensions above are rounded to the nearest 5mm, please use our CAD files when space-planning



RETAIL PRICE

code	description
PIX 01	White with silver bezel
PIX 02	Black with silver bezel
PIX 03	Black with black bezel

- OE electrics Pixel TUF fitted into the front seat border
- Single 3 pin UK power + USB (Type A & Type C)
- Supplied with a 2 metre power cable



Integrated Power

RETAIL PRICE

code	description
PIX 01	White with silver bezel
PIX 02	Black with silver bezel
PIX 03	Black with black bezel

- OE electrics Pixel TUF, fitted into the front border or table top
- Single 3 pin UK power + USB (Type A & Type C)
- Supplied with a 2 metre power cable

BEEfluted-collaborative Integrated table BEE/f-c-ITBL
 435mm h, 300mm w, 730mm d

BEEfluted-collaborative 22.5 degree Integrated table BEE/f-c-22ITBL
 435mm h, 460mm w, 730mm d

BEEfluted-collaborative 11.25 degree Integrated table BEE/f-c-11ITBL
 435mm h, 385mm w, 730mm d

BEEfluted-collaborative Integrated corner table BEE/f-c-ICTBL
 435mm h, 700mm w, 700mm d

BEEfluted-collaborative Integrated table-flat back BEE/f-c-ITBL-FB
 435mm h, 300mm w, 675mm d

BEEfluted-collaborative 22.5 degree inward Integrated table- flat back BEE/f-c-22ITBL-FB
 435mm h, 435mm w, 675mm d

BEEfluted-collaborative 11.25 degree inward Integrated table- flat back BEE/f-c-11ITBL-FB
 435mm h, 375mm w, 675mm d

BEEfluted-collaborative Integrated corner table- flat back BEE/f-c-ICTBL-FB
 435mm h, 645mm w, 645mm d

BEEfluted-collaborative side table BEE/f-c-STBL
 600mm h, 300mm w, 730mm d

BEEfluted-collaborative 22.5 degree side table BEE/f-c-22STBL
 600mm h, 460mm w, 730mm d

BEEfluted-collaborative 11.25 degree side table BEE/f-c-11STBL
 600mm h, 385mm w, 730mm d

BEEfluted-collaborative corner table BEE/f-c-CTBL
 600mm h, 700mm w, 700mm d

BEEfluted-collaborative side table- flat back BEE/f-c-STBL-FB
 600mm h, 300mm w, 675mm d

BEEfluted-collaborative 22.5 degree inward side table- flat back BEE/f-c-22STBL-FB
 600mm h, 435mm w, 675mm d

BEEfluted-collaborative 11.25 degree inward side table- flat back BEE/f-c-11STBL-FB
 600mm h, 375mm w, 675mm d

BEEfluted-collaborative corner table- flat back BEE/f-c-CTBL-FB
 600mm h, 645mm w, 645mm d

BEEfluted-collaborative straight integrated planter BEE/f-c-IPLTR
 435mm h, 300mm w, 730mm d

BEEfluted-collaborative 22.5 degree Integrated planter BEE/f-c-22IPLTR
 435mm h, 460mm w, 730mm d

BEEfluted-collaborative 11.25 degree Integrated planter BEE/f-c-11IPLTR
 435mm h, 385mm w, 730mm d

BEEfluted-collaborative straight integrated planter- flat back BEE/f-c-IPLTR-FB
 435mm h, 300mm w, 675mm d

BEEfluted-collaborative 22.5 degree Integrated planter- flat back BEE/f-c-22IPLTR-FB
 435mm h, 435mm w, 675mm d

BEEfluted-collaborative 11.25 degree Integrated planter- flat back BEE/f-c-11IPLTR-FB
 435mm h, 375mm w, 675mm d

BEEfluted-collaborative side table with screen BEE/f-c-STBL-s
 1300mm h, 345mm w, 730mm d

BEEfluted-collaborative side table with screen flat back BEE/f-c-STBL-s-FB
 1300mm h, 345mm w, 675mm d

BEEfluted-collaborative corner table with screens BEE/f-c-CTBL-s
 1300mm h, 690mm w, 690mm d

BEEfluted-collaborative coffee table BEE/f-c-TBL-C
 435mm h, 1000mm w, 1000mm d

BEEcollaborative integrated side table back to back BEE-c-ISTBL-BTB
 435mm h, 300mm w, 1350mm d

BEEcollaborative side table back to back BEE-c-STBL-BTB
 600mm h, 300mm w, 1350mm d

BEEcollaborative tablet table BEE-c-TTBL
 600mm h, 200mm w, 360mm d

Seat height: 435mm
 Seat depth: 495mm

Download 2D space planning blocks & 3D models from www.davisonhighley.co.uk/product-downloads

Please note that the dimensions above are rounded to the nearest 5mm, please use our CAD files when space-planning

BEE-fluted collaborative

RETAIL PRICE

code	description
BEE/f-c-ITBL	BEEfluted-collaborative Integrated table
BEE/f-c-22ITBL	BEEfluted-collaborative 22.5 degree Integrated table
BEE/f-c-11ITBL	BEEfluted-collaborative 11.25 degree Integrated table
BEE/f-c-ICTBL	BEEfluted-collaborative Integrated corner table
BEE/f-c-ITBL-FB	BEEfluted-collaborative Integrated table- flat back
BEE/f-c-22ITBL-FB	BEEfluted-collaborative 22.5 degree Integrated table- flat back
BEE/f-c-11ITBL-FB	BEEfluted-collaborative 11.25 degree Integrated table- flat back
BEE/f-c-ICTBL-FB	BEEfluted-collaborative Integrated corner table- flat back
BEE/f-c-STBL	BEEfluted-collaborative side table
BEE/f-c-22STBL	BEEfluted-collaborative 22.5 degree side table
BEE/f-c-11STBL	BEEfluted-collaborative 11.25 degree side table
BEE/f-c-CTBL	BEEfluted-collaborative Corner table
BEE/f-c-STBL-FB	BEEfluted-collaborative side table- flat back
BEE/f-c-22STBL-FB	BEEfluted-collaborative 22.5 degree inward side table- flat back
BEE/f-c-11STBL-FB	BEEfluted-collaborative 11.25 degree inward side table-flat back
BEE/f-c-CTBL-FB	BEEfluted-collaborative corner table- flat back
BEE/f-c-IPLTR	BEEfluted-collaborative straight integrated planter
BEE/f-c-22IPLTR	BEEfluted-collaborative 22.5 degree integrated planter
BEE/f-c-11IPLTR	BEEfluted-collaborative 11.25 degree integrated planter
BEE/f-c-IPLTR-FB	BEEfluted-collaborative straight integrated planter- flat back
BEE/f-c-22IPLTR-FB	BEEfluted-collaborative 22.5 degree inward integrated planter- flat back
BEE/f-c-11IPLTR-FB	BEEfluted-collaborative 11.25 degree inward integrated planter- flat back
BEE/f-c-STBL-s	BEEfluted-collaborative side table with screen
BEE/f-c-STBL-s-FB	BEEfluted-collaborative side table with screen- flat back
BEE/f-c-CTBL-s	BEEfluted-collaborative corner table with screens
BEE-c-TBL-C	BEEfluted-collaborative coffee table
BEE-c-STBL-BTB	BEEcollaborative integrated side table- back to back
BEE-c-ISTBL-BTB	BEEcollaborative side table- back to back
BEE-c-TTBL	BEEcollaborative tablet table

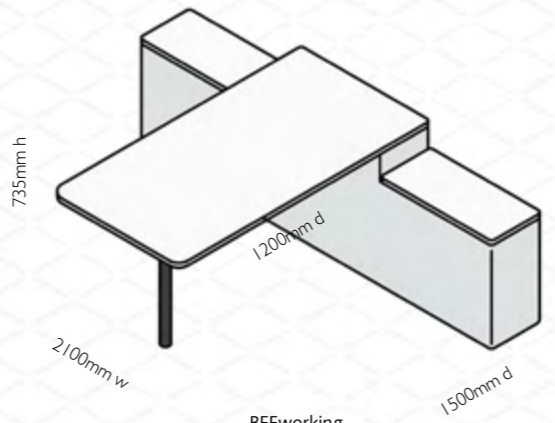
- Leather upholstery available by quotation only
- Supplied on nylon glides.
- As a modular design please supply a drawing of the intended layout with the order.
- Laminate table tops with birch ply edge.
- Tables supplied on solid aluminium or solid timber pedestal leg.
- * Fabric metres- refers to plain not patterned fabrics with a width of 1300mm.
- This design can only be altered as a bespoke option.
- Supplied with linking system.
- Scatter & Bolster cushions are available as an optional extra.
- Power modules can be fitted to this design

BEE working

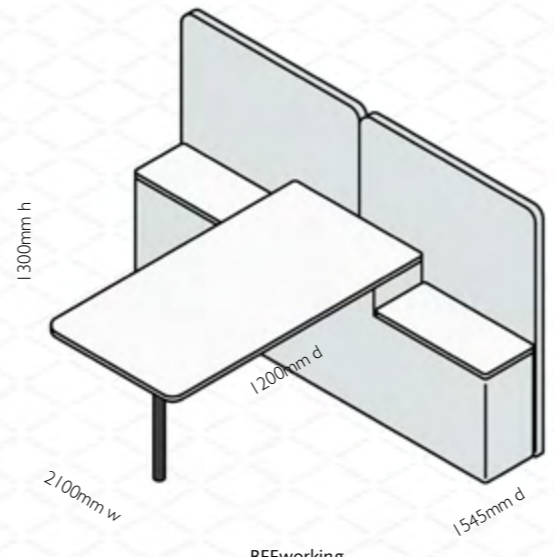
RETAIL PRICE

code	description
BEE-w-1200TBL	BEEworking 2 seater table element
BEE-w-1500TBL	BEEworking 2.5 seater table element
BEE-w-1200TBL-s	BEEworking table 2 seater element with screen
BEE-w-1500TBL-s	BEEworking table 2.5 seater element with screen

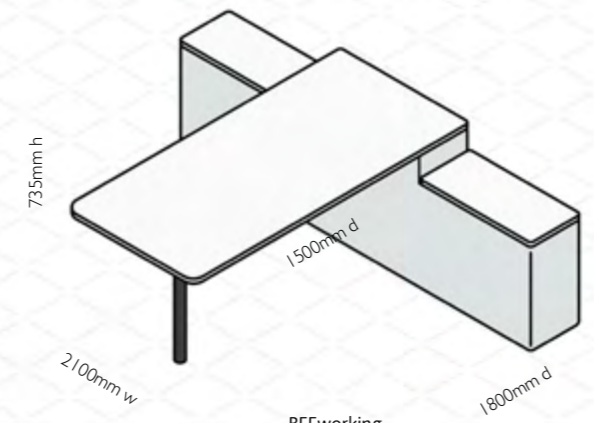
- Leather upholstery available by quotation only
- Supplied on nylon glides.
- As a modular design please supply a drawing of the intended layout with the order.
- Laminate table tops with birch ply edge.
- Tables supplied on solid aluminium or solid timber pedestal leg.
- * Fabric metres- refers to plain not patterned fabrics with a width of 1300mm.
- Tailor this design to your specification.
- Supplied with linking system.
- Power modules can be fitted to this design



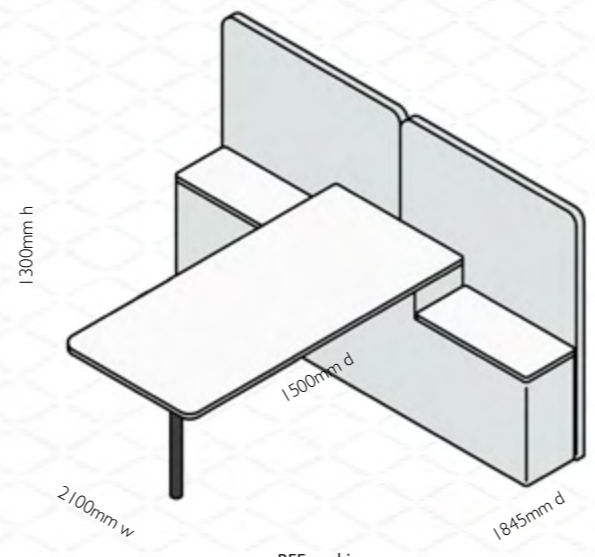
BEEworking table element
BEE-w-1200TBL



BEEworking 2 seater table element with screen
BEE-w-1200TBL-s



BEEworking table element
BEE-w-1500TBL



BEEworking table element with screen
BEE-w-1500TBL-s

Download 2D space planning blocks & 3D models from www.davisonhighley.co.uk/product-downloads

Please note that the dimensions above are rounded to the nearest 5mm, please use our CAD files when space-planning



RETAIL PRICE

code	description
PIX 01	White with silver bezel
PIX 02	Black with silver bezel
PIX 03	Black with black bezel

- OE electrics Pixel TUF, fitted into the front border or table top
- Single 3 pin UK power + USB (Type A & Type C)
- Supplied with a 2 metre power cable



BEE planting

RETAIL PRICE

code	description
BEE-p600/L	BEEplanter 600 straight low planter
BEE-p900/L	BEEplanter 900 straight low planter
BEE-p1200/L	BEEplanter 1200 straight low planter
BEE-p1500/L	BEEplanter 1500 straight low planter
BEE-p1800/L	BEEplanter 1800 straight low planter
BEE-p2100/L	BEEplanter 2100 straight low planter
BEE-p04/L	BEEplanter 90 degree inward curved low planter
BEE-p05/L	BEEplanter 90 degree outward curved low planter
BEE-p06/L	BEEplanter 45 degree inward curved low planter
BEE-p07/L	BEEplanter 45 degree outward curved low planter
BEE-p600/H	BEEplanter 600 straight high planter
BEE-p900/H	BEEplanter 900 straight high planter
BEE-p1200/H	BEEplanter 1200 straight high planter
BEE-p1500/H	BEEplanter 1500 straight high planter
BEE-p1800/H	BEEplanter 1800 straight high planter
BEE-p2100/H	BEEplanter 2100 straight high planter
BEE-p04/H	BEEplanter 90 degree inward curved high planter
BEE-p05/H	BEEplanter 90 degree outward curved high planter
BEE-p06/H	BEEplanter 45 degree inward curved high planter
BEE-p07/H	BEEplanter 45 degree outward curved high planter
BEE-pCNR-R-L	BEEplanter right hand corner low planter
BEE-pCNR-L/L	BEEplanter left hand corner low planter
BEE-pCNR-R-H	BEEplanter right hand corner high planter
BEE-pCNR-L/H	BEEplanter left hand corner high planter
BEE-p TBL1200	BEEplanter 1200mm planter table add-on
BEE-p TBL1500	BEEplanter 1500mm planter table add-on
BEE-p TBL1800	BEEplanter 1800mm planter table add-on

- Leather upholstery available by quotation only
- Supplied on nylon glides.
- As a modular design please supply a drawing of the intended layout with the order.
- Laminated planter tops with birch ply edge.
- * Fabric metres- refers to plain not patterned fabrics with a width of 1300mm.
- Tables supplied on solid aluminium or solid timber pedestal leg.
- Tailor this design to your specification.
- Supplied with linking system.

BEE planting units are designed to work with the BEE-fluted modular-flat back range

Download 2D space planning blocks & 3D models from www.davisonhighley.co.uk/product-downloads

Please note that the dimensions above are rounded to the nearest 5mm, please use our CAD files when space-planning

All Planters supplied with plastic liners

Plastic liner to fit 600mm, 1500mm, 2100mm wide & corner planters

Plastic liner to fit 900mm wide & corner planters

Plastic liner to fit 1800mm wide planters

Plastic liner to fit 1200mm wide planters



Scatter cushions

We offer a range of scatter cushions which can be used to accessorise many of our standard designs. Fibre filled, in a selection of upholstery finishes.

RETAIL PRICE

code	description
STC 01	Small square fibre-fill cushion 400mm X 400mm
STC 02	Medium square fibre-fill cushion 500mm X 500mm
STC 03	Large square fibre-fill cushion 600mm X 600mm
STC 04	Small rectangular fibre-fill cushion 550mm X 270mm
STC 05	Large rectangular fibre-fill cushion 600mm X 400mm
EL CSH	A Pair of pebble shaped feather & down cushions; x1 at 480mm x 340mm & x1 at 575mm x 410mm

- Leather upholstery available by quotation only
- Add piping to match cushion covers (self piped) or piping to contrast cushion covers (contrast piped) by quotation.
- * Fabric metres- refers to plain not patterned fabrics.
- The fibre-filling may be exchanged for feather & down filling at an additional cost by quotation.

Bolster cushions

A selection of bolsters designed to complement many of our standard ranges and available in a choice of upholstery finishes.

RETAIL PRICE

code	description
BOL 01	Cylindrical foam bolster 160mm Dia X 475mm / 6.5" Dia X 19"
BOL 02	Rectangular foam bolster 160mm Square X 475mm / 6.5" Square X 19"

- Leather upholstery available by quotation only
- Bolster cushions can be added to many of our standard collection designs, please see the specific product pages for details.
- * Fabric metres- refers to plain not patterned fabrics.

FABRIC BAND	FABRIC BAND	FABRIC BAND	FABRIC BAND	FABRIC BAND	FABRIC BAND	FABRIC BAND	LEATHER
0	1	2	3	4	5	6	Supplied by quotation only
Customers own material	Camira Era Camira Rivet	Camira Aspect Camira Main Line Plus Camira Quest Camira Replay Camira Vita	Agua Boucle Camira Aquarius Camira Blazer Camira Halcyon Cedar Camira Main Line Flax Camira Main Line Twist Camira Oceanic Camira Sumi Camira Synergy	Camira Deca Camira Halcyon Aspen Camira Halcyon Blossom Camira Hemp Camira Silk Camira Track Camira Yordale (Boucle)	Bute Alchemy Bute Tweed Camira Craggen Flax Camira Resku Camira Revolution Gabriel Nobel Kvadrat Clara 2 Kvadrat Hero 2 Kvadrat Hero Heather Kvadrat Tonica 2	Gabriel Comfort + Kvadrat Divina 3 Kvadrat Divina Melange 3 Kvadrat Fiord Kvadrat Melange Nap Kvadrat Re-Wool Kvadrat Sabi Kvadrat Steelcut Trio 3 Textile Mania Orbit Textile Mania Compass Vescom Ariana	Crest JMT Shelly Crest Newcastle Muirhead Caledonian Muirhead Grampian Yarwood Chelsea Yarwood Heritage Yarwood Lomond Yarwood Origin Yarwood Style
	Gabriel Chili Gabriel Parcel Loop Gabriel Renewed Loop Gabriel Tempt InLoom One Spradling Valencia C5 (Vinyl) Vescom Samar Yarwood Dollaro	Gabriel Bond Gabriel Felicity Gabriel Go Uni Gabriel Go Check Gabriel Grain Gabriel Just InLoom Jeans InLoom Jet InLoom Jet Bioactive InLoom Roccia Malone Chelsea Malone Rosso (Vinyl) Malone Secreto Malone Skai Tundra (Vinyl) Spradling Chronos Svensson Ally Svensson Easy Svensson Hello RE Svensson Macro Svensson Semi Svensson Tone Vescom Hestan	Gabriel Breeze Fusion Gabriel Capture Gabriel Crisp Gabriel Cura Gabriel Fame Gabriel Focus Gabriel Focus Melange Gabriel Passion Gabriel Select Inloom Spazio Kvadrat Atlas Kvadrat Reflect Kvadrat Remix 3 Malone Cocoon Malone Quartz Malone Skai Sotega (Vinyl) Svensson Node Selers Stanford Vescom Auckland (Boucle) Vescom Burton Vescom Fuga Vescom Lindau Vescom Rolla Vescom Wilson Yarwood Vintage (Vinyl)	Gabriel Mood Gabriel Morph Gabriel Umber Svensson Heritage C5 Svensson Khaki Svensson Mingel Svensson Poppy Svensson Step Vescom Foster Vescom Lamu Vescom Moore Vescom Noss Vescom Ponza Vescom Wolin	Kvadrat Clara 2 Kvadrat Hero 2 Kvadrat Hero Heather Kvadrat Tonica 2 Svensson Balance Svensson Club Svensson Ink Svensson Velvet Sekers Synergy Boucle Sabik Sekers Synergy Boucles (Sabik & Saiph) Sekers Fiora 1 & 2 Textile Mania Broken Stones		

Fabric bands

- Not all standard fabrics, vinyl's and leathers are suitable for all products within our collection. Please contact us to discuss your requirements
- Fabric and leather bands listed are for guidance only. We are happy to consider and offer an opinion on any alternative upholstery fabric or leather which does not appear on the above list in respect of its suitability, pattern matching, or other features.
- Please contact us directly for pricing and Davison Highley approval when specifying an unlisted fabric or leather.
- We reserve the right to reject a fabric or leather on inspection, if we feel it is unsuitable or will compromise the quality of finish on the furniture. For example; some patterned or unyielding fabrics do not work well with sculptural shapes.
- Davison Highley cannot guarantee that a unlisted fabric or leather will match the upholstery finish achieved when using a fabric or leather from the above list.
- All listed fabrics meet a minimum fire rating standard of BSEN 1021 1&2* All other fabric and leather specifications are as per manufacturers details. Davison Highley will not upholster with a material which does not meet BSEN 1021 1&2.
- Additional charges may apply when working with some complex fabrics.
- As a natural material, leather will develop character (puddle and crease) over time. Although we will attempt to use the best cuts from a hide, some natural markings may still be visible.
- The maximum hide thickness we are happy to work with is 1.3mm, please speak to us directly if you would like to use a leather which is over this maximum thickness as it may be possible to "Skive" (reduce the thickness) of the leather. Additional charges apply.
- Davison Highley reserves the right to change the list of standard fabrics and leathers without notice.

*** APPROPRIATE FINISHES**
It is our clients responsibility to specify upholstery finishes appropriate to the area the furniture occupies and for its intended end use.

Should furniture be intended for higher risk or high traffic areas, for specific purposes and/or require additional fire-retardancy treatment, please advise us. We can assist in selecting the appropriate upholstery finish.

Finishes

RANGE	DESIGN	PLASTIC LEG	METAL LEG / BASE FINISH	TIMBER LEG FINISH	TABLE TOP & BASE FINISH
SOFAS & ARMCHAIRS	Bebe	-	Corner leg- bright polished or brushed.	-	-
	BEEcozy	Nylon Glide	bright polished, brushed, black powder coated	natural beech, natural oak, dark stained oak, black stained beech- lacquered	Laminate- White (Egger White W1000 ST9), Black (Egger U999), Oak (Egger Natural Kendal Oak- H3170 ST12), Walnut (Natural Dijon Walnut- H3734 ST9), Dark oak (Truffle Brown Davos Oak- H3133 ST12)
	Chime	Nylon Glide	-	-	-
	EL	-	bright polished, brushed, black powder coated	-	Laminate- White (Egger White W1000 ST9), Black (Egger U999), Oak (Egger Natural Kendal Oak- H3170 ST12), Walnut (Natural Dijon Walnut- H3734 ST9), Dark oak (Truffle Brown Davos Oak- H3133 ST12)
	Headline	-	bright polished, brushed, black powder coated	natural beech, natural oak, dark stained oak, black stained beech- lacquered	-
	Lacey	-	-	natural beech, natural oak, dark stained oak, black stained beech- lacquered	-
	Reed	Nylon Glide	-	natural beech, natural oak, dark stained oak, black stained beech- lacquered	-
	Rolo	Nylon Glide	-	-	Laminate- White (Egger White W1000 ST9), Black (Egger U999), Oak (Egger Natural Kendal Oak- H3170 ST12), Walnut (Natural Dijon Walnut- H3734 ST9), Dark oak (Truffle Brown Davos Oak- H3133 ST12)
WORKSPACES	Skylon	-	bright polished, brushed, black powder coated	natural beech, natural oak, dark stained oak, black stained beech- lacquered	-
	Bloid	Nylon Glide	-	-	-
	Skylon meeting sofa	-	bright polished, brushed, black powder coated	natural beech, natural oak, dark stained oak, black stained beech- lacquered	-
	Skylon work booth	-	bright polished, brushed, black powder coated	natural beech, natural oak, dark stained oak, black stained beech- lacquered	Laminate- White (Egger White W1000 ST9), Black (Egger U999), Oak (Egger Natural Kendal Oak- H3170 ST12), Walnut (Natural Dijon Walnut- H3734 ST9), Dark oak (Truffle Brown Davos Oak- H3133 ST12)
	Skylon work chair	-	bright polished, brushed, black powder coated	natural beech, natural oak, dark stained oak, black stained beech- lacquered	Laminate- White (Egger White W1000 ST9), Black (Egger U999), Oak (Egger Natural Kendal Oak- H3170 ST12), Walnut (Natural Dijon Walnut- H3734 ST9), Dark oak (Truffle Brown Davos Oak- H3133 ST12)
	Wunderwall-Boulevard	Nylon Glide	bright polished, brushed, black powder coated	-	Laminate- White (Egger White W1000 ST9), Black (Egger U999), Oak (Egger Natural Kendal Oak- H3170 ST12), Walnut (Natural Dijon Walnut- H3734 ST9), Dark oak (Truffle Brown Davos Oak- H3133 ST12)
BANQUETTE & MODULAR	Wunderwall-EL	-	bright polished, brushed, black powder coated	-	Laminate- White (Egger White W1000 ST9), Black (Egger U999), Oak (Egger Natural Kendal Oak- H3170 ST12), Walnut (Natural Dijon Walnut- H3734 ST9), Dark oak (Truffle Brown Davos Oak- H3133 ST12)
	BEE	Nylon Glide	bright polished, brushed, black powder coated	natural beech, natural oak, dark stained oak, black stained beech- lacquered	Laminate- White (Egger White W1000 ST9), Black (Egger U999), Oak (Egger Natural Kendal Oak- H3170 ST12), Walnut (Natural Dijon Walnut- H3734 ST9), Dark oak (Truffle Brown Davos Oak- H3133 ST12)
	BEEfluted	Nylon Glide	bright polished, brushed, black powder coated	natural beech, natural oak, dark stained oak, black stained beech- lacquered	Laminate- White (Egger White W1000 ST9), Black (Egger U999), Oak (Egger Natural Kendal Oak- H3170 ST12), Walnut (Natural Dijon Walnut- H3734 ST9), Dark oak (Truffle Brown Davos Oak- H3133 ST12)
	Boulevard	Nylon Glide	bright polished, brushed, black powder coated	-	Laminate- White (Egger White W1000 ST9), Black (Egger U999), Oak (Egger Natural Kendal Oak- H3170 ST12), Walnut (Natural Dijon Walnut- H3734 ST9), Dark oak (Truffle Brown Davos Oak- H3133 ST12)
	EL work modular	-	bright polished, brushed, black powder coated	-	Laminate- White (Egger White W1000 ST9), Black (Egger U999), Oak (Egger Natural Kendal Oak- H3170 ST12), Walnut (Natural Dijon Walnut- H3734 ST9), Dark oak (Truffle Brown Davos Oak- H3133 ST12)
STOOLS & BENCHES	Elements	Nylon Glide	-	-	Laminate- White (Egger White W1000 ST9), Black (Egger U999), Oak (Egger Natural Kendal Oak- H3170 ST12), Walnut (Natural Dijon Walnut- H3734 ST9), Dark oak (Truffle Brown Davos Oak- H3133 ST12)
	Allsorts	Nylon Glide	-	-	-
	Bertie	Nylon Glide	-	-	-
	Doug	-	-	natural beech, natural oak, dark stained oak, black stained beech- lacquered	-
	Joseph	-	-	natural beech, natural oak, dark stained oak, black stained beech- lacquered	Laminate- White (Egger White W1000 ST9), Black (Egger U999), Oak (Egger Natural Kendal Oak- H3170 ST12), Walnut (Natural Dijon Walnut- H3734 ST9), Dark oak (Truffle Brown Davos Oak- H3133 ST12)
	Lacey	-	-	natural beech, natural oak, dark stained oak, black stained beech- lacquered	Laminate- White (Egger White W1000 ST9), Black (Egger U999), Oak (Egger Natural Kendal Oak- H3170 ST12), Walnut (Natural Dijon Walnut- H3734 ST9), Dark oak (Truffle Brown Davos Oak- H3133 ST12)
TABLES	Allsorts	Nylon Glide	-	-	Laminate- White (Egger White W1000 ST9), Black (Egger U999), Oak (Egger Natural Kendal Oak- H3170 ST12), Walnut (Natural Dijon Walnut- H3734 ST9), Dark oak (Truffle Brown Davos Oak- H3133 ST12)
	Chime	Nylon Glide	-	-	Laminate- White (Egger White W1000 ST9), Black (Egger U999), Oak (Egger Natural Kendal Oak- H3170 ST12), Walnut (Natural Dijon Walnut- H3734 ST9), Dark oak (Truffle Brown Davos Oak- H3133 ST12)
	Doug	-	-	natural beech, natural oak, dark stained oak, black stained beech- lacquered	Laminate- White (Egger White W1000 ST9), Black (Egger U999), Oak (Egger Natural Kendal Oak- H3170 ST12), Walnut (Natural Dijon Walnut- H3734 ST9), Dark oak (Truffle Brown Davos Oak- H3133 ST12)
	EL	-	bright polished, brushed, black powder coated	natural beech, natural oak, dark stained oak, black stained beech- lacquered	Laminate- White (Egger White W1000 ST9), Black (Egger U999), Oak (Egger Natural Kendal Oak- H3170 ST12), Walnut (Natural Dijon Walnut- H3734 ST9), Dark oak (Truffle Brown Davos Oak- H3133 ST12)
	Engage	-	Pedestal base- brushed, black powder coated	-	Laminate- White (Egger White W1000 ST9), Black (Egger U999), Oak (Egger Natural Kendal Oak- H3170 ST12), Walnut (Natural Dijon Walnut- H3734 ST9), Dark oak (Truffle Brown Davos Oak- H3133 ST12)
	Hestel	-	Pedestal base- black powder coated	-	Laminate- White (Egger White W1000 ST9), Black (Egger U999), Oak (Egger Natural Kendal Oak- H3170 ST12), Walnut (Natural Dijon Walnut- H3734 ST9), Dark oak (Truffle Brown Davos Oak- H3133 ST12)
	Lacey	-	-	natural beech, natural oak, dark stained oak, black stained beech- lacquered	Laminate- White (Egger White W1000 ST9), Black (Egger U999), Oak (Egger Natural Kendal Oak- H3170 ST12), Walnut (Natural Dijon Walnut- H3734 ST9), Dark oak (Truffle Brown Davos Oak- H3133 ST12)
	Loui	-	Frame base- black powder coated	-	Laminate- White (Egger White W1000 ST9), Black (Egger U999), Oak (Egger Natural Kendal Oak- H3170 ST12), Walnut (Natural Dijon Walnut- H3734 ST9), Dark oak (Truffle Brown Davos Oak- H3133 ST12)

- The charts to the left should be used in conjunction with the relevant design pages to establish the options available.

- When we make reference to particular timber (natural beech, natural oak, natural walnut) or laminate finishes (white, black, oak, walnut, dark oak), they refer to our standard supplied finishes only.

- We can match to a specific client specified colour, finish or material, but require either a sample or material reference.

- We reserve the right to reject a material or finish, if we feel it is unsuitable or will compromise the quality of finish on the furniture.

TIMBER FINISHES

Timber is a natural material as such colour and grain variations may occur. All our timber is either left in it's beautiful natural colour or stained before a clear lacquer is applied.

Design, Manufacture & Office

Old North Works
Old Oxford Road
Piddington
High Wycombe
Buckinghamshire
HP14 3BE

Tel. +44 (0) 1494 881912

info@davisonhighley.com

www.davisonhighley.com

Find us on these platforms



London showroom

Lower Ground Floor
The Old Brewery
16 Brewhouse Yard
Clerkenwell
London
EC1V 4LJ

Tel. +44 (0) 207 871 1089