

BEE

by **DAVISON
HIGHLEY**

BROCHURE 2025

A modern take on the classic modular system which recognises the increasingly agile requirements of workplace. Futureproof and incorporating work elements such as tables, technology, planting and mobility, the range includes; **BEEmodular, BEEflexible, BEEsettled, BEEworking, BEEcollaborative & BEEplanting.**

Elements can be combined effortlessly, with the reassurance our robust linking system will hold them firmly in position until you are ready to reconfigure the elements should the needs of the workplace evolve. Create natural and safe divisions with panels or take a biophilic approach with planter units incorporated into the design



PRODUCT INFORMATION

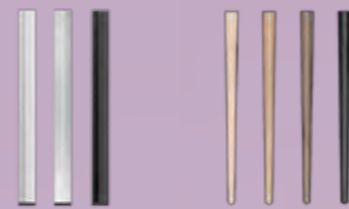
- Soft modular seating range with accompanying table & planter elements.
- Suitable for office, educational, breakout areas
- Upholstery finishes are available from our fabric & faux leather bands. Leather available by quotation.
- Black nylon glides.
- Seat and back constructed from engineered layers of CMHR foam.
- Table tops are laminate tops with laquered ply edges
- This design can be tailored on request.
- Planters supplied with plastic liners

BEE foot



Nylon glides
Black

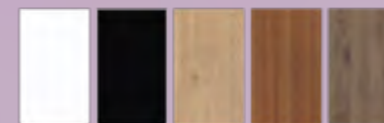
BEE table leg options



Solid aluminium
Cylindrical leg
Polished, Brushed or
Black powder-coated

Solid timber
Tapered leg
Beech, Oak,
Dark Oak stained
or Black stained

BEE table & planter top options



Laminate
Table tops
White, Black, Oak, Walnut or Dark Oak

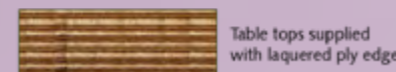


Table tops supplied
with laquered ply edge

Integrated power



OE electrics Pixel TUF

Downloadable Sustainability Scorecard

BEE modular

RETAIL PRICE

| code | description |
|----------------|---|
| BEE-m01 | BEEmodular 1 seater straight |
| BEE-m02 | BEEmodular 2 seater straight |
| BEE-m025 | BEEmodular 2.5 seater straight |
| BEE-m01c-45IN | BEEmodular 1 seater 45 degree inward curve |
| BEE-m01c-45OUT | BEEmodular 1 seater 45 degree outward curve |
| BEE-m01c-22IN | BEEmodular 1 seater 22.5 degree inward curve |
| BEE-m01c-22OUT | BEEmodular 1 seater 22.5 degree outward curve |
| BEE-m02c-90IN | BEEmodular 2 seater 90 degree inward curve |
| BEE-m02c-90OUT | BEEmodular 2 seater 90 degree outward curve |
| BEE-m02c-45IN | BEEmodular 2 seater 45 degree inward curve |
| BEE-m02c-45OUT | BEEmodular 2 seater 45 degree outward curve |
| BEE-m01b | BEEmodular 1 seater straight bench |
| BEE-m02b | BEEmodular 2 seater straight bench |
| BEE-m025b | BEEmodular 2.5 seater straight bench |
| BEE-m01c-45b | BEEmodular 1 seater 45 degree curved bench |
| BEE-m01c-22b | BEEmodular 1 seater 22.5 degree curved bench |
| BEE-m02c-90b | BEEmodular 2 seater 90 degree curved bench |
| BEE-m02c-45b | BEEmodular 2 seater 45 degree curved bench |
| BEE-m-CNR | BEEmodular corner |
| BEE-m-ARM | BEEmodular arm |

- Leather upholstery available by quotation only
- Supplied on nylon glides.
- As a modular design please supply a drawing of the intended layout with the order.
- Laminate table tops with birch ply edge.
- Tables supplied on solid aluminium or solid timber pedestal leg.
- * Fabric metres- refers to plain not patterned fabrics with a width of 1300mm.
- Tailor this design to your specification.
- Supplied with linking system.
- Scatter & Bolster cushions are available as an optional extra.
- Power modules can be fitted to this design

815mm h
600mm w 730mm d
BEEmodular 1 seater Straight
BEE-m01

815mm h
1200mm w 730mm d
BEEmodular 2 seater Straight
BEE-m02

815mm h
1500mm w 730mm d
BEEmodular 2.5 seater Straight
BEE-m025

815mm h
900mm w 730mm d
BEEmodular 1 seater 45 degree inward curve
BEE-m01c-45IN

815mm h
850mm w 730mm d
BEEmodular 1 seater 45 degree outward curve
BEE-m01c-45OUT

815mm h
770mm w 730mm d
BEEmodular 1 seater 22.5 degree inward curve
BEE-m01c-22IN

815mm h
745mm w 730mm d
BEEmodular 1 seater 22.5 degree outward curve
BEE-m01c-22OUT

815mm h
1670mm w 730mm d
BEEmodular 2 seater 90 degree inward curve
BEE-m02c-90IN

815mm h
1610mm w 730mm d
BEEmodular 2 seater 90 degree outward curve
BEE-m02c-90OUT

815mm h
1515mm w 730mm d
BEEmodular 2 seater 45 degree inward curve
BEE-m02c-45IN

815mm h
1470mm w 730mm d
BEEmodular 2 seater 45 degree outward curve
BEE-m02c-45OUT

435mm h
600mm w 730mm d
BEEmodular 1 seater Straight bench
BEE-m01b

435mm h
1200mm w 730mm d
BEEmodular 2 seater Straight bench
BEE-m02b

435mm h
1500mm w 730mm d
BEEmodular 2.5 seater Straight bench
BEE-m025b

435mm h
850mm w 730mm d
BEEmodular 1 seater 45 degree curved bench
BEE-m01c-45b

435mm h
745mm w 730mm d
BEEmodular 1 seater 22.5 degree curved bench
BEE-m01c-22b

435mm h
1605mm w 730mm d
BEEmodular 2 seater 90 degree curved bench
BEE-m02c-90b

435mm h
1470mm w 730mm d
BEEmodular 2 seater 45 degree curved bench
BEE-m02c-45b

815mm h
700mm w 700mm d
BEEmodular Corner
BEE-m-CNR

815mm h
300mm w 730mm d
BEEmodular Arm
BEE-m-ARM

Seat height: 435mm
Seat depth: 495mm

Download 2D space planning blocks & 3D models from www.davisonhighley.co.uk/product-downloads

Please note that the dimensions above are rounded to the nearest 5mm, please use our CAD files when space-planning

Office , Manufacture & Design Tel. +44 (0)1494 881912 / Email: info@davisonhighley.co.uk

Integrated Power



RETAIL PRICE

| code | description |
|--------|-------------------------|
| PIX 01 | White with silver bezel |
| PIX 02 | Black with silver bezel |
| PIX 03 | Black with black bezel |

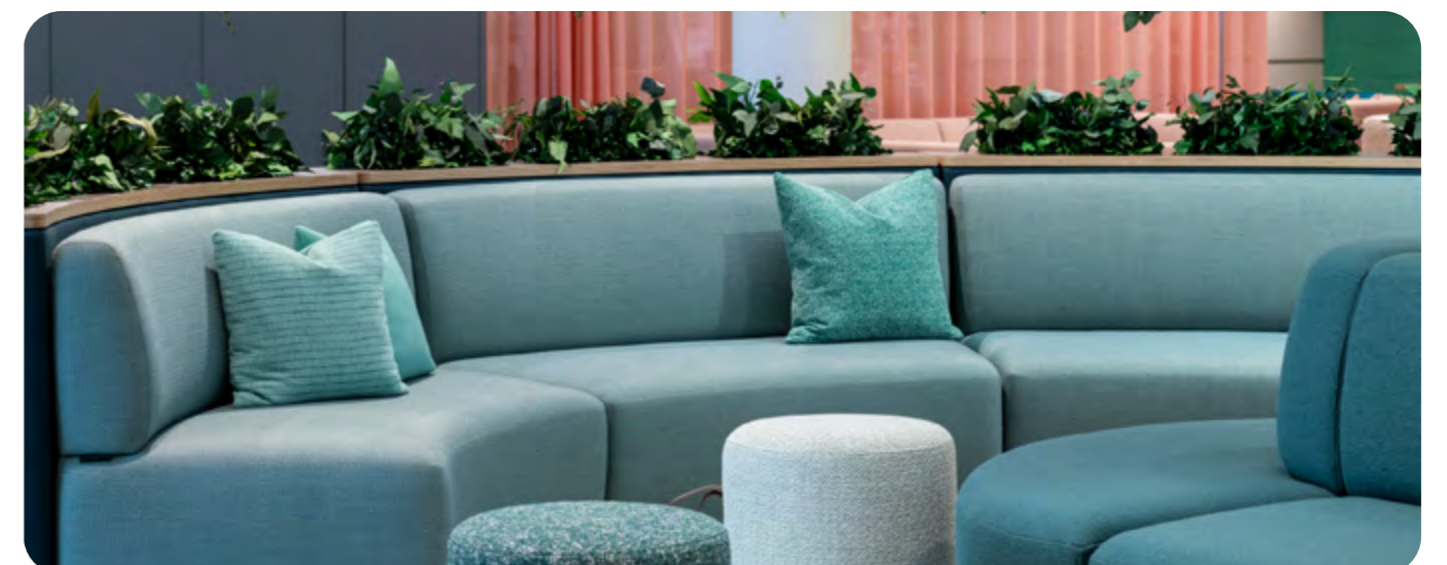
- OE electrics Pixel TUF fitted into the front seat border
- Single 3 pin UK power + USB (Type A & Type C)
- Supplied with a 2 metre power cable

BEE modular-flat back

RETAIL PRICE

| code | description |
|-------------------|---|
| BEE-m01-FB | BEEmodular-flat back 1 seater straight |
| BEE-m02-FB | BEEmodular-flat back 2 seater straight |
| BEE-m025-FB | BEEmodular-flat back 2.5 seater straight |
| BEE-m01c-45IN-FB | BEEmodular-flat back 1 seater 45 degree inward curve |
| BEE-m01c-45OUT-FB | BEEmodular-flat back 1 seater 45 degree outward curve |
| BEE-m01c-22IN-FB | BEEmodular-flat back 1 seater 22.5 degree inward curve |
| BEE-m01c-22OUT-FB | BEEmodular-flat back 1 seater 22.5 degree outward curve |
| BEE-m02c-90IN-FB | BEEmodular-flat back 2 seater 90 degree inward curve |
| BEE-m02c-90OUT-FB | BEEmodular-flat back 2 seater 90 degree outward curve |
| BEE-m02c-45IN-FB | BEEmodular-flat back 2 seater 45 degree inward curve |
| BEE-m02c-45OUT-FB | BEEmodular-flat back 2 seater 45 degree outward curve |
| BEE-m01b-FB | BEEmodular-flat back 1 seater straight bench |
| BEE-m02b-FB | BEEmodular-flat back 2 seater straight bench |
| BEE-m025b-FB | BEEmodular-flat back 2.5 seater straight bench |
| BEE-m-CNR-FB | BEEmodular-flat back corner |
| BEE-m-ARM-FB | BEEmodular-flat back arm |

- Leather upholstery available by quotation only
- Supplied on nylon glides.
- As a modular design please supply a drawing of the intended layout with the order.
- Laminated table tops with birch ply edge.
- Tables supplied on solid aluminium or solid timber pedestal leg.
- * Fabric metres- refers to plain not patterned fabrics with a width of 1300mm.
- Tailor this design to your specification.
- Supplied with linking system.
- Scatter & Bolster cushions are available as an optional extra.
- Power modules can be fitted to this design



BEE modular-flat back units are designed to work with the BEE planting range found on page 47

Seat height: 435mm
Seat depth: 495mm

Download 2D space planning blocks & 3D models from www.davisonhighley.co.uk/product-downloads

Please note that the dimensions above are rounded to the nearest 5mm, please use our CAD files when space-planning

Integrated Power



RETAIL PRICE

| code | description |
|--------|-------------------------|
| PIX 01 | White with silver bezel |
| PIX 02 | Black with silver bezel |
| PIX 03 | Black with black bezel |

- OE electrics Pixel TUF fitted into the front seat border
- Single 3 pin UK power + USB (Type A & Type C)
- Supplied with a 2 metre power cable

BEE flexible / BEE settled

RETAIL PRICE

| code | description |
|-----------------|---|
| BEE-f01-BTB | BEEflexible 1 seater back to back |
| BEE-f02-BTB | BEEflexible 2 seater back to back |
| BEE-f025-BTB | BEEflexible 2.5 seater back to back |
| BEE-f02c-90-BTB | BEEflexible 2 seater 90 degree curve back to back |
| BEE-f02c-45-BTB | BEEflexible 2 seater 45 degree curve back to back |
| BEE-f-SSC | BEEflexible Small semi-circle |
| BEE-f-LSC | BEEflexible Large semi-circle |
| BEE-s01 | BEEsettled 1 seater straight |
| BEE-s02 | BEEsettled 2 seater straight |
| BEE-s025 | BEEsettled 2.5 seater straight |
| BEE-s01-RH | BEEsettled 1 seater extended screen right-hand |
| BEE-s01-LH | BEEsettled 1 seater extended screen left-hand |
| BEE-s02-RH | BEEsettled 2 seater extended screen right-hand |
| BEE-s02-LH | BEEsettled 2 seater extended screen left-hand |

- Leather upholstery available by quotation only
- Supplied on nylon glides.
- As a modular design please supply a drawing of the intended layout with the order.
- Laminate table tops with birch ply edge.
- Tables supplied on solid aluminium or solid timber pedestal leg.
- * Fabric metres- refers to plain not patterned fabrics with a width of 1300mm.
- Tailor this design to your specification.
- Supplied with linking system.
- Scatter & Bolster cushions are available as an optional extra.
- Power modules can be fitted to this design



Integrated Power

RETAIL PRICE

| code | description |
|--------|-------------------------|
| PIX 01 | White with silver bezel |
| PIX 02 | Black with silver bezel |
| PIX 03 | Black with black bezel |

- OE electrics Pixel TUF fitted into the front seat border
- Single 3 pin UK power + USB (Type A & Type C)
- Supplied with a 2 metre power cable

815mm h
600mm w
1350mm d
BEEflexible 1 seater back to back
BEE-f01-BTB

815mm h
1200mm w
1350mm d
BEEflexible 2 seater back to back
BEE-f02-BTB

815mm h
1500mm w
1350mm d
BEEflexible 2.5 seater back to back
BEE-f025-BTB

1815mm r
815mm h
2480mm w
465mm r
1350mm d
BEEflexible 2 seater 90 degree curve back to back
BEE-f02c-90-BTB

2615mm r
815mm h
1940mm w
1270mm r
1350mm d
BEEflexible 2 seater 45 degree curve back to back
BEE-f02c-45-BTB

815mm h
1330mm w
675mm d
BEEflexible Small semi-circle
BEE-f-SSC

815mm h
1630mm w
825mm d
BEEflexible Large semi-circle
BEE-f-LSC

1300mm h
600mm w
720mm d
BEEsettled 1 seater Straight
BEE-s01

1300mm h
1200mm w
720mm d
BEEsettled 2 seater Straight
BEE-s02

1300mm h
1500mm w
720mm d
BEEsettled 2.5 seater Straight
BEE-s025

1300mm h
900mm w
720mm d
BEEsettled 1 seater extended screen right-hand
BEE-s01-RH

1300mm h
900mm w
720mm d
BEEsettled 1 seater extended screen left-hand
BEE-s01-LH

1300mm h
1500mm w
720mm d
BEEsettled 2 seater extended screen right-hand
BEE-s02-RH

1300mm h
1500mm w
720mm d
BEEsettled 2 seater extended screen left-hand
BEE-s02-LH

Seat height: 435mm
Seat depth: 495mm

Download 2D space planning blocks & 3D models from www.davisonhighley.co.uk/product-downloads

Please note that the dimensions above are rounded to the nearest 5mm, please use our CAD files when space-planning



Office , Manufacture & Design Tel. +44 (0)1494 881912 / Email: info@davisonhighley.co.uk

BEE collaborative

RETAIL PRICE

| code | description |
|-----------------|---|
| BEE-c-ISTBL | BEEcollaborative Integrated side table |
| BEE-c-ITBL | BEEcollaborative Integrated table |
| BEE-c-ICTBL | BEEcollaborative Integrated corner table |
| BEE-c-ISTBL-FB | BEEcollaborative Integrated side table- flat back |
| BEE-c-ITBL-FB | BEEcollaborative Integrated table- flat back |
| BEE-c-CTBL-FB | BEEcollaborative Integrated corner table- flat back |
| BEE-c-STBL | BEEcollaborative side table |
| BEE-c-TBL | BEEcollaborative table |
| BEE-c-CTBL | BEEcollaborative corner table |
| BEE-c-STBL-FB | BEEcollaborative side table- flat back |
| BEE-c-TBL-FB | BEEcollaborative table- flat back |
| BEE-c-CTBL-FB | BEEcollaborative corner table- flat back |
| BEE-c-STBL-BTB | BEEcollaborative integrated side table- back to back |
| BEE-c-ISTBL-BTB | BEEcollaborative side table- back to back |
| BEE-c-TTBL | BEEcollaborative tablet table |
| BEE-c-STBL-s | BEEcollaborative side table with screen |
| BEE-c-STBL-s-FB | BEEcollaborative side table with screen-flat back |
| BEE-c-CTBL-FB | BEEcollaborative Corner table with screens- flat back |
| BEE-c-TBL-C | BEEcollaborative coffee table |

- Leather upholstery available by quotation only
- Supplied on nylon glides.
- As a modular design please supply a drawing of the intended layout with the order.
- Laminate table tops with birch ply edge.
- Tables supplied on solid aluminium or solid timber pedestal leg.
- * Fabric metres- refers to plain not patterned fabrics with a width of 1300mm.
- Tailor this design to your specification.
- Supplied with linking system.
- Scatter & Bolster cushions are available as an optional extra.
- Power modules can be fitted to this design

435mm h 300mm w 730mm d
BEEcollaborative Integrated side table
BEE-c-ISTBL

435mm h 600mm w 730mm d
BEEcollaborative Integrated table
BEE-c-ITBL

435mm h 700mm w 700mm d
BEEcollaborative Integrated corner table
BEE-c-ICTBL

435mm h 300mm w 675mm d
BEEcollaborative Integrated side table -flat back
BEE-c-ISTBL-FB

435mm h 600mm w 675mm d
BEEcollaborative Integrated table -flat back
BEE-c-ITBL-FB

435mm h 645mm d 645mm d
BEEcollaborative Integrated corner table -flat back
BEE-c-ICTBL-FB

600mm h 300mm w 730mm d
BEEcollaborative side table
BEE-c-STBL

600mm h 600mm w 730mm d
BEEcollaborative table
BEE-c-TBL

600mm h 700mm w 700mm d
BEEcollaborative corner table
BEE-c-CTBL

600mm h 300mm w 675mm d
BEEcollaborative side table-flat back
BEE-c-STBL-FB

600mm h 600mm w 675mm d
BEEcollaborative table-flat back
BEE-c-TBL-FB

600mm h 645mm d 645mm d
BEEcollaborative corner table-flat back
BEE-c-CTBL-FB

435mm h 300mm w 1350mm d
BEEcollaborative integrated side table back to back
BEE-c-ISTBL-BTB

600mm h 300mm w 1350mm d
BEEcollaborative side table back to back
BEE-c-STBL-BTB

600mm h 200mm w 360mm d
BEEcollaborative tablet table
BEE-c-TTBL

1300mm h 345mm w 730mm d
BEEcollaborative side table with screen
BEE-c-STBL-s

1300mm h 345mm w 675mm d
BEEcollaborative side table with screen -flat back
BEE-c-STBL-s-FB

1300mm h 690mm w 690mm d
BEEcollaborative Corner table with screens - flat back
BEE-c-CTBL-s-FB

435mm h 1000mm w 1000mm d
BEEcollaborative coffee table
BEE-c-TBL-C

Seat height: 435mm
Seat depth: 495mm

Download 2D space planning blocks & 3D models from www.davisonhighley.co.uk/product-downloads

Please note that the dimensions above are rounded to the nearest 5mm, please use our CAD files when space-planning

Integrated Power



RETAIL PRICE

| code | description |
|--------|-------------------------|
| PIX 01 | White with silver bezel |
| PIX 02 | Black with silver bezel |
| PIX 03 | Black with black bezel |

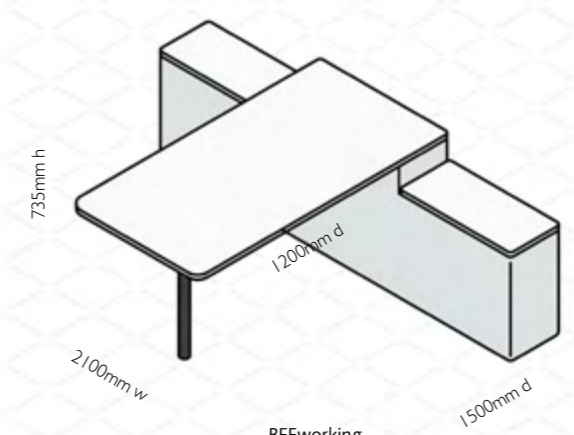
- OE electrics Pixel TUF, fitted into the front border or table top
- Single 3 pin UK power + USB (Type A & Type C)
- Supplied with a 2 metre power cable

BEE working

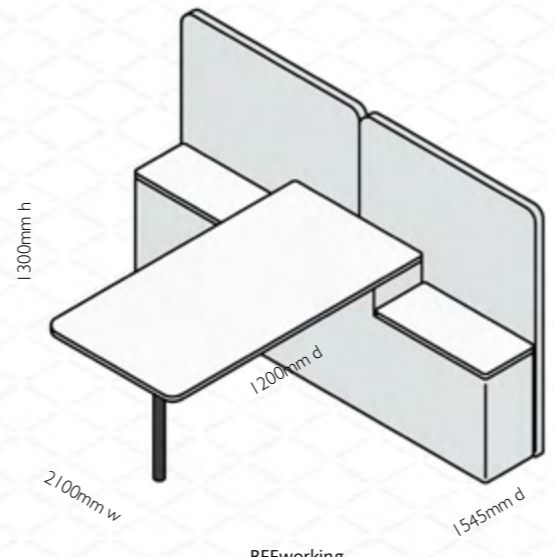
RETAIL PRICE

| code | description |
|-----------------|---|
| BEE-w-1200TBL | BEEworking 2 seater table element |
| BEE-w-1500TBL | BEEworking 2.5 seater table element |
| BEE-w-1200TBL-s | BEEworking table 2 seater element with screen |
| BEE-w-1500TBL-s | BEEworking table 2.5 seater element with screen |

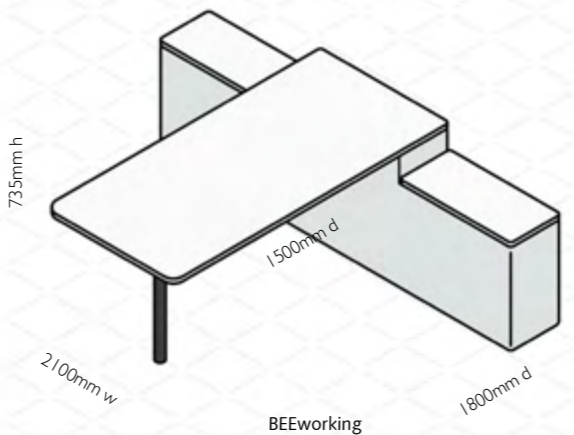
- Leather upholstery available by quotation only
- Supplied on nylon glides.
- As a modular design please supply a drawing of the intended layout with the order.
- Laminate table tops with birch ply edge.
- Tables supplied on solid aluminium or solid timber pedestal leg.
- * Fabric metres- refers to plain not patterned fabrics with a width of 1300mm.
- Tailor this design to your specification.
- Supplied with linking system.
- Power modules can be fitted to this design



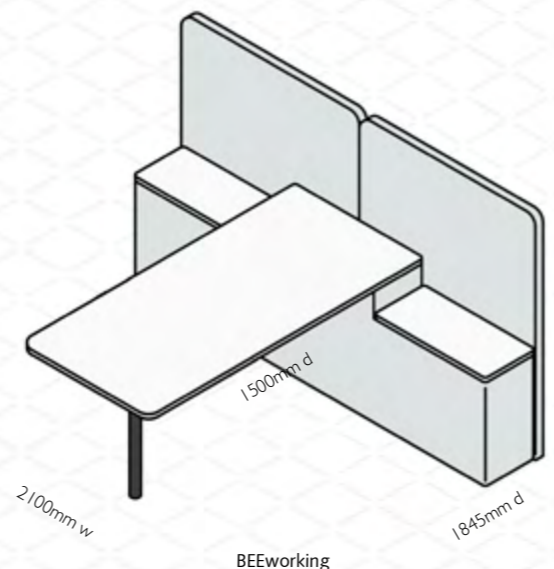
BEEworking table element
BEE-w-1200TBL



BEEworking 2 seater table element with screen
BEE-w-1200TBL-s



BEEworking table element
BEE-w-1500TBL



BEEworking table element with screen
BEE-w-1500TBL-s

Download 2D space planning blocks & 3D models from www.davisonhighley.co.uk/product-downloads

Please note that the dimensions above are rounded to the nearest 5mm, please use our CAD files when space-planning



RETAIL PRICE

| code | description |
|--------|-------------------------|
| PIX 01 | White with silver bezel |
| PIX 02 | Black with silver bezel |
| PIX 03 | Black with black bezel |

- OE electrics Pixel TUF, fitted into the front border or table top
- Single 3 pin UK power + USB (Type A & Type C)
- Supplied with a 2 metre power cable



BEE planting

RETAIL PRICE

| code | description |
|---------------|--|
| BEE-p600/L | BEEplanter 600 straight low planter |
| BEE-p900/L | BEEplanter 900 straight low planter |
| BEE-p1200/L | BEEplanter 1200 straight low planter |
| BEE-p1500/L | BEEplanter 1500 straight low planter |
| BEE-p1800/L | BEEplanter 1800 straight low planter |
| BEE-p2100/L | BEEplanter 2100 straight low planter |
| BEE-p04/L | BEEplanter 90 degree inward curved low planter |
| BEE-p05/L | BEEplanter 90 degree outward curved low planter |
| BEE-p06/L | BEEplanter 45 degree inward curved low planter |
| BEE-p07/L | BEEplanter 45 degree outward curved low planter |
| BEE-p600/H | BEEplanter 600 straight high planter |
| BEE-p900/H | BEEplanter 900 straight high planter |
| BEE-p1200/H | BEEplanter 1200 straight high planter |
| BEE-p1500/H | BEEplanter 1500 straight high planter |
| BEE-p1800/H | BEEplanter 1800 straight high planter |
| BEE-p2100/H | BEEplanter 2100 straight high planter |
| BEE-p04/H | BEEplanter 90 degree inward curved high planter |
| BEE-p05/H | BEEplanter 90 degree outward curved high planter |
| BEE-p06/H | BEEplanter 45 degree inward curved high planter |
| BEE-p07/H | BEEplanter 45 degree outward curved high planter |
| BEE-pCNR-R-L | BEEplanter right hand corner low planter |
| BEE-pCNR-L-L | BEEplanter left hand corner low planter |
| BEE-pCNR-R-H | BEEplanter right hand corner high planter |
| BEE-pCNR-L-H | BEEplanter left hand corner high planter |
| BEE-p TBL1200 | BEEplanter 1200mm planter table add-on |
| BEE-p TBL1500 | BEEplanter 1500mm planter table add-on |
| BEE-p TBL1800 | BEEplanter 1800mm planter table add-on |

- Leather upholstery available by quotation only
- Supplied on nylon glides.
- As a modular design please supply a drawing of the intended layout with the order.
- Laminated planter tops with birch ply edge.
- * Fabric metres- refers to plain not patterned fabrics with a width of 1300mm.
- Tables supplied on solid aluminium or solid timber pedestal leg.
- Tailor this design to your specification.
- Supplied with linking system.

BEE planting units are designed to work with the BEE modular-flat back range found on page 43

Download 2D space planning blocks & 3D models from www.davisonhighley.co.uk/product-downloads

Please note that the dimensions above are rounded to the nearest 5mm, please use our CAD files when space-planning

Office , Manufacture & Design Tel. +44 (0)1494 881912 / Email: info@davisonhighley.co.uk

All Planters supplied with plastic liners

Plastic liner
to fit 600mm, 1500mm, 2100mm wide & corner planters

Plastic liner
to fit 900mm wide & corner planters

Plastic liner
to fit 1800mm wide planters



Scatter cushions

We offer a range of scatter cushions which can be used to accessorise many of our standard designs. Fibre filled, in a selection of upholstery finishes.

RETAIL PRICE

| code | description |
|--------|--|
| STC 01 | Small square fibre-fill cushion 400mm X 400mm |
| STC 02 | Medium square fibre-fill cushion 500mm X 500mm |
| STC 03 | Large square fibre-fill cushion 600mm X 600mm |
| STC 04 | Small rectangular fibre-fill cushion 550mm X 270mm |
| STC 05 | Large rectangular fibre-fill cushion 600mm X 400mm |
| EL CSH | A Pair of pebble shaped feather & down cushions; x1 at 480mm x 340mm & x1 at 575mm x 410mm |

- Leather upholstery available by quotation only
- Add piping to match cushion covers (self piped) or piping to contrast cushion covers (contrast piped) by quotation.
- * Fabric metres- refers to plain not patterned fabrics.
- The fibre-filling may be exchanged for feather & down filling at an additional cost by quotation.

Bolster cushions

A selection of bolsters designed to complement many of our standard ranges and available in a choice of upholstery finishes.

RETAIL PRICE

| code | description |
|--------|--|
| BOL 01 | Cylindrical foam bolster 160mm Dia X 475mm / 6.5" Dia X 19" |
| BOL 02 | Rectangular foam bolster 160mm Square X 475mm / 6.5" Square X 19" |

- Leather upholstery available by quotation only
- Bolster cushions can be added to many of our standard collection designs, please see the specific product pages for details.
- * Fabric metres- refers to plain not patterned fabrics.



Achieve bespoke levels of on site integration without the cost implications

Everything we manufacture is to order, as such we can **tailor** our standard collection furniture lets you achieve bespoke levels of on site integration without the cost implications, creating areas which may normally be restricted by budgets if looking at a custom-made solution. Fit furniture between walls or below windows, reduce sizes to fit your floor plan or integrate with on site features.

Tailoring allows you to make up to two modifications;

- Modify the width of the design.
- Modify the height of the design.
- Upholstery in a challenging fabric.
- Alter the leg type, finish or shape.
- Adjust the upholstery detailing.

Designs requiring more than two alterations are uplifted to “Bespoke” products and costed accordingly.



Look for this logo on our standard collection designs

Please get in touch and discuss your requirements with us.

< ALIGNING THE BACK HEIGHT OF WUNDERWALL -BOULEVARD WITH THE DIVIDING SHELVING UNITS

| FABRIC BAND 0 | FABRIC BAND 1 | FABRIC BAND 2 | FABRIC BAND 3 | FABRIC BAND 4 | FABRIC BAND 5 | FABRIC BAND 6 | LEATHER Supplied by quotation only |
|------------------------|--|--|---|---|---|--|---|
| Customers own material | Camira Era Camira Rivet | Camira Aspect Camira Main Line Plus Camira Quest Camira Replay Camira Vita | Agua Boucle Camira Aquarius Camira Blazer Camira Halcyon Cedar Camira Main Line Flax Camira Main Line Twist Camira Oceanic Camira Sumi Camira Synergy | Camira Deca Camira Halcyon Aspen Camira Halcyon Blossom Camira Hemp Camira Silk Camira Track Camira Yordale (Boucle) | Bute Alchemy Bute Tweed Camira Craggen Flax Camira Resku Camira Revolution Gabriel Nobel Kvadrat Clara 2 Kvadrat Hero 2 Kvadrat Hero Heather Kvadrat Tonica 2 | Gabriel Comfort + Kvadrat Divina 3 Kvadrat Divina Melange 3 Kvadrat Fiord Kvadrat Melange Nap Kvadrat Re-Wool Kvadrat Sabi Kvadrat Steelcut Trio 3 Textile Mania Orbit Textile Mania Compass Vescom Ariana | Crest JMT Shelly Crest Newcastle Muirhead Caledonian Muirhead Grampian Yarwood Chelsea Yarwood Heritage Yarwood Lomond Yarwood Origin Yarwood Style |
| | Spradling Valencia C5 (Vinyl) Vescom Samar Yarwood Dollaro | Gabriel Grain Gabriel Just InLoom Jeans InLoom Jet InLoom Jet Bioactive InLoom Roccia Malone Chelsea Malone Rosso (Vinyl) Malone Secreto Malone Skai Tundra (Vinyl) | Gabriel Breeze Fusion Gabriel Capture Gabriel Crisp Gabriel Cura Gabriel Fame Gabriel Focus Gabriel Focus Melange Gabriel Passion Gabriel Select Inloom Spazio Kvadrat Atlas Kvadrat Reflect Kvadrat Remix 3 Malone Cocoon Malone Quartz Malone Skai Sotega (Vinyl) Svensson Node Selers Stanford Vescom Auckland (Boucle) Vescom Burton Vescom Fuga Vescom Lindau Vescom Rolla Vescom Wilson Yarwood Vintage (Vinyl) | Gabriel Mood Gabriel Morph Gabriel Umber Svensson Heritage C5 Svensson Khaki Svensson Mingel Svensson Poppy Svensson Step Vescom Foster Vescom Lamu Vescom Moore Vescom Noss Vescom Ponza Vescom Wolin | Kvadrat Clara 2 Kvadrat Hero 2 Kvadrat Hero Heather Kvadrat Tonica 2 Svensson Balance Svensson Club Svensson Ink Svensson Velvet Sekers Synergy Boucle Sabik Sekers Synergy Boucles (Sabik & Saiph) Sekers Fiora 1 & 2 Textile Mania Broken Stones | | |

Fabric bands

- Not all standard fabrics, vinyl's and leathers are suitable for all products within our collection. Please contact us to discuss your requirements
- Fabric and leather bands listed are for guidance only. We are happy to consider and offer an opinion on any alternative upholstery fabric or leather which does not appear on the above list in respect of it's suitability, pattern matching, or other features.
- Please contact us directly for pricing and Davison Highley approval when specifying an unlisted fabric or leather.
- We reserve the right to reject a fabric or leather on inspection, if we feel it is unsuitable or will compromise the quality of finish on the furniture. For example; some patterned or unyielding fabrics do not work well with sculptural shapes.
- Davison Highley cannot guarantee that a unlisted fabric or leather will match the upholstery finish achieved when using a fabric or leather from the above list.
- All listed fabrics meet a minimum fire rating standard of BSEN1021 1&2* All other fabric and leather specifications are as per manufacturers details. Davison Highley will not upholster with a material which does not meet BSEN1021 1&2.
- Additional charges may apply when working with some complex fabrics.
- As a natural material, leather will develop character (puddle and crease) over time. Although we will attempt to use the best cuts from a hide, some natural markings may still be visible.
- The maximum hide thickness we are happy to work with is 1.3mm, please speak to us directly if you would like to use a leather which is over this maximum thickness as it may be possible to "Skive" (reduce the thickness) of the leather. Additional charges apply.
- Davison Highley reserves the right to change the list of standard fabrics and leathers without notice.

*** APPROPRIATE FINISHES**
It is our clients responsibility to specify upholstery finishes appropriate to the area the furniture occupies and for its intended end use.

Should furniture be intended for higher risk or high traffic areas, for specific purposes and/ or require additional fire-retardancy treatment, please advise us. We can assist in selecting the appropriate upholstery finish.

Finishes

| RANGE | DESIGN | PLASTIC LEG | METAL LEG / BASE FINISH | TIMBER LEG FINISH | TABLE TOP & BASE FINISH |
|---------------------|----------------------|-------------|--|--|---|
| SOFAS & ARMCHAIRS | Bebe | - | Corner leg- bright polished or brushed. | - | - |
| | BEEcozy | Nylon Glide | bright polished, brushed, black powder coated | natural beech, natural oak, dark stained oak, black stained beech- lacquered | Laminate- White (Egger White W1000 ST9), Black (Egger U999), Oak (Egger Natural Kendal Oak- H3170 ST12), Walnut (Natural Dijon Walnut- H3734 ST9), Dark oak (Truffle Brown Davos Oak- H3133 ST12) |
| | Chime | Nylon Glide | - | - | - |
| | EL | - | bright polished, brushed, black powder coated | - | Laminate- White (Egger White W1000 ST9), Black (Egger U999), Oak (Egger Natural Kendal Oak- H3170 ST12), Walnut (Natural Dijon Walnut- H3734 ST9), Dark oak (Truffle Brown Davos Oak- H3133 ST12) |
| | Headline | - | bright polished, brushed, black powder coated | natural beech, natural oak, dark stained oak, black stained beech- lacquered | - |
| | Lacey | - | - | natural beech, natural oak, dark stained oak, black stained beech- lacquered | - |
| | Reed | Nylon Glide | - | natural beech, natural oak, dark stained oak, black stained beech- lacquered | - |
| | Rolo | Nylon Glide | - | - | Laminate- White (Egger White W1000 ST9), Black (Egger U999), Oak (Egger Natural Kendal Oak- H3170 ST12), Walnut (Natural Dijon Walnut- H3734 ST9), Dark oak (Truffle Brown Davos Oak- H3133 ST12) |
| WORKSPACES | Skylon | - | bright polished, brushed, black powder coated | natural beech, natural oak, dark stained oak, black stained beech- lacquered | - |
| | Bloid | Nylon Glide | - | - | - |
| | Skylon meeting sofa | - | bright polished, brushed, black powder coated | natural beech, natural oak, dark stained oak, black stained beech- lacquered | - |
| | Skylon work booth | - | bright polished, brushed, black powder coated | natural beech, natural oak, dark stained oak, black stained beech- lacquered | Laminate- White (Egger White W1000 ST9), Black (Egger U999), Oak (Egger Natural Kendal Oak- H3170 ST12), Walnut (Natural Dijon Walnut- H3734 ST9), Dark oak (Truffle Brown Davos Oak- H3133 ST12) |
| | Skylon work chair | - | bright polished, brushed, black powder coated | natural beech, natural oak, dark stained oak, black stained beech- lacquered | Laminate- White (Egger White W1000 ST9), Black (Egger U999), Oak (Egger Natural Kendal Oak- H3170 ST12), Walnut (Natural Dijon Walnut- H3734 ST9), Dark oak (Truffle Brown Davos Oak- H3133 ST12) |
| | Wunderwall-Boulevard | Nylon Glide | bright polished, brushed, black powder coated | - | Laminate- White (Egger White W1000 ST9), Black (Egger U999), Oak (Egger Natural Kendal Oak- H3170 ST12), Walnut (Natural Dijon Walnut- H3734 ST9), Dark oak (Truffle Brown Davos Oak- H3133 ST12) |
| BANQUETTE & MODULAR | Wunderwall-EL | - | bright polished, brushed, black powder coated | - | Laminate- White (Egger White W1000 ST9), Black (Egger U999), Oak (Egger Natural Kendal Oak- H3170 ST12), Walnut (Natural Dijon Walnut- H3734 ST9), Dark oak (Truffle Brown Davos Oak- H3133 ST12) |
| | BEE | Nylon Glide | bright polished, brushed, black powder coated | natural beech, natural oak, dark stained oak, black stained beech- lacquered | Laminate- White (Egger White W1000 ST9), Black (Egger U999), Oak (Egger Natural Kendal Oak- H3170 ST12), Walnut (Natural Dijon Walnut- H3734 ST9), Dark oak (Truffle Brown Davos Oak- H3133 ST12) |
| | BEEfluted | Nylon Glide | bright polished, brushed, black powder coated | natural beech, natural oak, dark stained oak, black stained beech- lacquered | Laminate- White (Egger White W1000 ST9), Black (Egger U999), Oak (Egger Natural Kendal Oak- H3170 ST12), Walnut (Natural Dijon Walnut- H3734 ST9), Dark oak (Truffle Brown Davos Oak- H3133 ST12) |
| | Boulevard | Nylon Glide | bright polished, brushed, black powder coated | - | Laminate- White (Egger White W1000 ST9), Black (Egger U999), Oak (Egger Natural Kendal Oak- H3170 ST12), Walnut (Natural Dijon Walnut- H3734 ST9), Dark oak (Truffle Brown Davos Oak- H3133 ST12) |
| | EL work modular | - | bright polished, brushed, black powder coated | - | Laminate- White (Egger White W1000 ST9), Black (Egger U999), Oak (Egger Natural Kendal Oak- H3170 ST12), Walnut (Natural Dijon Walnut- H3734 ST9), Dark oak (Truffle Brown Davos Oak- H3133 ST12) |
| STOOLS & BENCHES | Elements | Nylon Glide | - | - | Laminate- White (Egger White W1000 ST9), Black (Egger U999), Oak (Egger Natural Kendal Oak- H3170 ST12), Walnut (Natural Dijon Walnut- H3734 ST9), Dark oak (Truffle Brown Davos Oak- H3133 ST12) |
| | Allsorts | Nylon Glide | - | - | - |
| | Bertie | Nylon Glide | - | - | - |
| | Doug | - | - | natural beech, natural oak, dark stained oak, black stained beech- lacquered | - |
| | Joseph | - | - | natural beech, natural oak, dark stained oak, black stained beech- lacquered | Laminate- White (Egger White W1000 ST9), Black (Egger U999), Oak (Egger Natural Kendal Oak- H3170 ST12), Walnut (Natural Dijon Walnut- H3734 ST9), Dark oak (Truffle Brown Davos Oak- H3133 ST12) |
| | Lacey | - | - | natural beech, natural oak, dark stained oak, black stained beech- lacquered | Laminate- White (Egger White W1000 ST9), Black (Egger U999), Oak (Egger Natural Kendal Oak- H3170 ST12), Walnut (Natural Dijon Walnut- H3734 ST9), Dark oak (Truffle Brown Davos Oak- H3133 ST12) |
| TABLES | Allsorts | Nylon Glide | - | - | Laminate- White (Egger White W1000 ST9), Black (Egger U999), Oak (Egger Natural Kendal Oak- H3170 ST12), Walnut (Natural Dijon Walnut- H3734 ST9), Dark oak (Truffle Brown Davos Oak- H3133 ST12) |
| | Chime | Nylon Glide | - | - | Laminate- White (Egger White W1000 ST9), Black (Egger U999), Oak (Egger Natural Kendal Oak- H3170 ST12), Walnut (Natural Dijon Walnut- H3734 ST9), Dark oak (Truffle Brown Davos Oak- H3133 ST12) |
| | Doug | - | - | natural beech, natural oak, dark stained oak, black stained beech- lacquered | Laminate- White (Egger White W1000 ST9), Black (Egger U999), Oak (Egger Natural Kendal Oak- H3170 ST12), Walnut (Natural Dijon Walnut- H3734 ST9), Dark oak (Truffle Brown Davos Oak- H3133 ST12) |
| | EL | - | bright polished, brushed, black powder coated | natural beech, natural oak, dark stained oak, black stained beech- lacquered | Laminate- White (Egger White W1000 ST9), Black (Egger U999), Oak (Egger Natural Kendal Oak- H3170 ST12), Walnut (Natural Dijon Walnut- H3734 ST9), Dark oak (Truffle Brown Davos Oak- H3133 ST12) |
| | Engage | - | Pedestal base- brushed, black powder coated | - | Laminate- White (Egger White W1000 ST9), Black (Egger U999), Oak (Egger Natural Kendal Oak- H3170 ST12), Walnut (Natural Dijon Walnut- H3734 ST9), Dark oak (Truffle Brown Davos Oak- H3133 ST12) |
| | Hestel | - | Pedestal base- black powder coated | - | Laminate- White (Egger White W1000 ST9), Black (Egger U999), Oak (Egger Natural Kendal Oak- H3170 ST12), Walnut (Natural Dijon Walnut- H3734 ST9), Dark oak (Truffle Brown Davos Oak- H3133 ST12) |
| | Lacey | - | - | natural beech, natural oak, dark stained oak, black stained beech- lacquered | Laminate- White (Egger White W1000 ST9), Black (Egger U999), Oak (Egger Natural Kendal Oak- H3170 ST12), Walnut (Natural Dijon Walnut- H3734 ST9), Dark oak (Truffle Brown Davos Oak- H3133 ST12) |
| | Loui | - | Frame base- black powder coated | - | Laminate- White (Egger White W1000 ST9), Black (Egger U999), Oak (Egger Natural Kendal Oak- H3170 ST12), Walnut (Natural Dijon Walnut- H3734 ST9), Dark oak (Truffle Brown Davos Oak- H3133 ST12) |

- The charts to the left should be used in conjunction with the relevant design pages to establish the options available.

- When we make reference to particular timber (natural beech, natural oak, natural walnut) or laminate finishes (white, black, oak, walnut, dark oak), they refer to our standard supplied finishes only.

- We can match to a specific client specified colour, finish or material, but require either a sample or material reference.

- We reserve the right to reject a material or finish, if we feel it is unsuitable or will compromise the quality of finish on the furniture.

TIMBER FINISHES

Timber is a natural material as such colour and grain variations may occur. All our timber is either left in it's beautiful natural colour or stained before a clear lacquer is applied.

Design, Manufacture & Office

Old North Works
Old Oxford Road
Piddington
High Wycombe
Buckinghamshire
HP14 3BE

Tel. +44 (0) 1494 881912

info@davisonhighley.com

www.davisonhighley.com

Find us on these platforms



London showroom

Lower Ground Floor
The Old Brewery
16 Brewhouse Yard
Clerkenwell
London
EC1V 4LJ

Tel. +44 (0) 207 871 1089